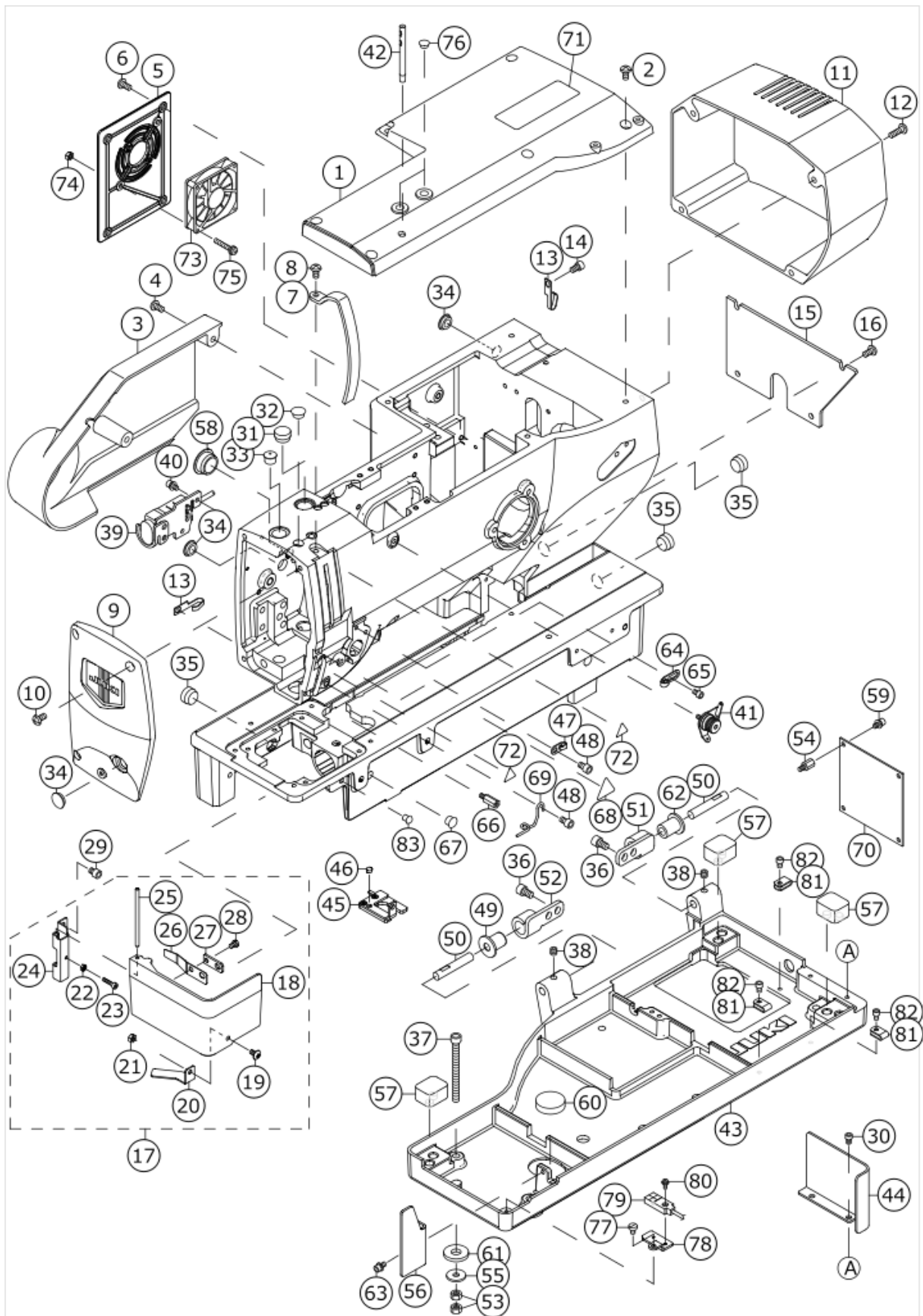


LBH-1796A

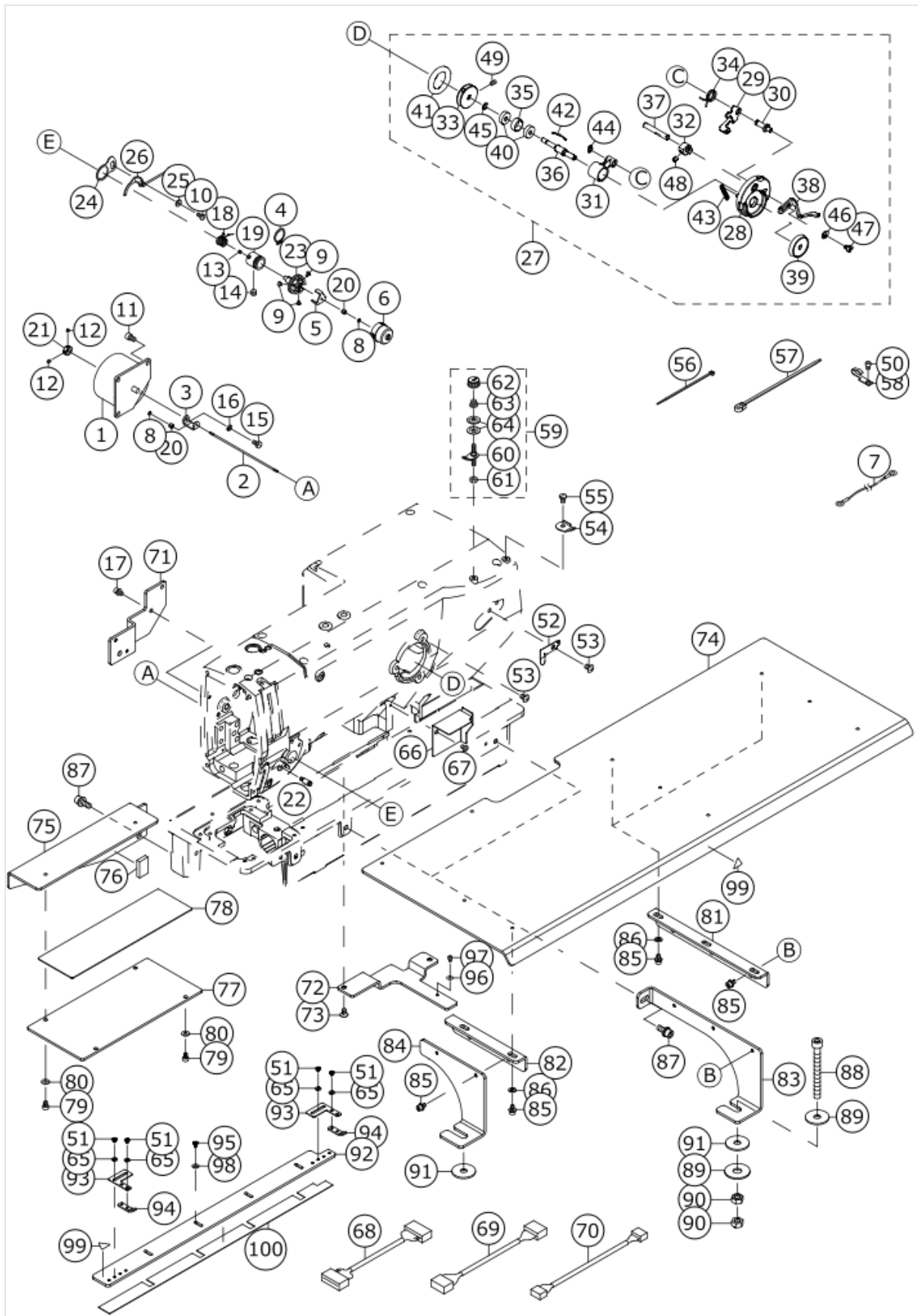
FRAME & MISCELLANEOUS COVER COMPONENTS (1)



No.	品番	品名	備考	子部品	消耗品	個数
1	40143770	UPPER COVER				1.00
2	SM4051055SP	SCREW				6.00
3	40141709	LEFT_COVER				1.00
4	SM4051055SP	SCREW				2.00
5	40165706	LEFT_COVER_B				1.00
6	SM4051055SP	SCREW				4.00
7	40004157	THREAD_TAKE_UP_LEVER_COVER				1.00
8	SM4051055SP	SCREW				1.00
9	40004156	FRONT_COVER				1.00
10	SM4051055SP	SCREW				3.00
11	40004159	MOTOR_COVER				1.00
12	SM4051655SP	SCREW M5 L=16				4.00
13	26230409	LUBRICATING OIL WICK STOPPER				2.00
14	SM6050802TP	SCREW M5X0.8 L=8				1.00
15	40004161	REAR_COVER				1.00
16	SM4051055SP	SCREW				4.00
17	40142148	HOOK_OIL_SHIELD_COVER_COMPL.				1.00
18	40142887	HOOK_OIL_SHIELD_COVER		*		1.00
19	SM0040801SC	SCREW		*		1.00
20	40145328	SENSOR SLIT PLATE C		*		1.00
21	NM6040001SC	NUT M4X0.7 TYPE1		*		1.00
22	NM6030001SD	NUT M3X0.5		*		1.00
23	SM6031402TP	SCREW		*		1.00
24	13703806	HOOK OIL SHIELD HINGE		*		1.00
25	13703905	HINGE PIN		*		1.00
26	40141710	HINGE_SPRING		*		1.00
27	40141711	HINGE_SPRING_WASHER		*		1.00
28	SM4040655SP	SCREW M4 L=6		*		1.00
29	SM6050652TP	HEXAGON SOCKET HEAD SCREW M5X6				2.00
30	SM6040602TP	SCREW M4 L=6				2.00
31	TA1550902R0	PLUG				1.00
32	TA1050504R0	RUBBER PLUG				1.00
33	40141795	PBL_METAL_CAP				1.00
34	TA1250406R0	RUBBER PLUG D=12.5 L=4				3.00
35	TA1550902R0	PLUG				3.00
36	SM6061002TP	SCREW M6 L=10	ACCESSORIE PARTS			4.00
37	SM6067052TP	HEXAGON BOLT				4.00
38	SM80606A2TP	SCREW M6 L=6				2.00
39	40029632	STOP SW ASM				1.00
40	SL6040892TN	SCREW				2.00
41	22528764	PRE-TENSION CONTROLLER ASM.				1.00
42	22502504	THREAD GUIDE BAR	ACCESSORIE PARTS			1.00
43	40153003	BED BASE 220				1.00
44	40004160	BED_REAR_COVER				1.00
45	40141706	ASSY_LED_DEVICE				1.00
46	TA0500301R0	PLUG 5X5.8 L=3				1.00
47	13922208	TAKE-UP THREAD GUIDE B				1.00
48	SM6050802TP	SCREW M5X0.8 L=8				2.00

49	40006314	HINGE_BUSH	ACCESSORIE PARTS			1.00
50	13700604	HINGE PIN				2.00
51	13700406	HINGE PLATE A	ACCESSORIE PARTS			1.00
52	13700505	HINGE PLATE B	ACCESSORIE PARTS			1.00
53	NM6060001SD	NUT M6				8.00
54	KX000000380	SPACER				4.00
55	WP0612056SD	WASHER 6.1X18.5X2				4.00
56	13943303	OIL SHIELD	ACCESSORIE PARTS			1.00
57	40008977	RUBBER C				3.00
58	TA2100904R0	RUBBER PLUG				1.00
59	SL6040892TN	SCREW				4.00
60	E2002855000	Z STOPPER RUBBER				1.00
61	D6056555B00	RUBBER CUSHION (B)				4.00
62	13700703	RUBBER HINGE	ACCESSORIE PARTS			1.00
63	SL6040892TN	SCREW	ACCESSORIE PARTS			1.00
64	40009037	TAKE-UP THREAD GUIDE A				1.00
65	SM6040602TP	SCREW M4 L=6				1.00
66	40141713	STUD				1.00
67	TA0850604R0	RUBBER PLUG				1.00
68	CM300200003	ATTENTION LABEL				1.00
69	13705405	NEEDLE BAR THREAD GUIDE				1.00
70	40138611	INT PCB ASSY				1.00
71	CM301300001	SAFETY LABEL				1.00
72	CM300200001	ATTENTION SEAL				2.00
73	40111214	FAN MOTOR ASSY				1.00
74	NM6040001SC	NUT M4X0.7 TYPE1				2.00
75	SL4042591SC	SCREW M4 L=25				2.00
76	TA0750404R0	PLUG D=7.5 L=3.5				2.00
77	SM6040650TP	SCREW				1.00
78	40145327	SENSOR PALTE C				1.00
79	40141483	COVER SENSOR ASSY				1.00
80	SL4030881SC	SCREW M3 L=8				1.00
81	HX001500000	CLIP				3.00
82	SM6040602TP	SCREW M4 L=6				3.00
83	TA0550604R0	RUBBER PLUG				1.00

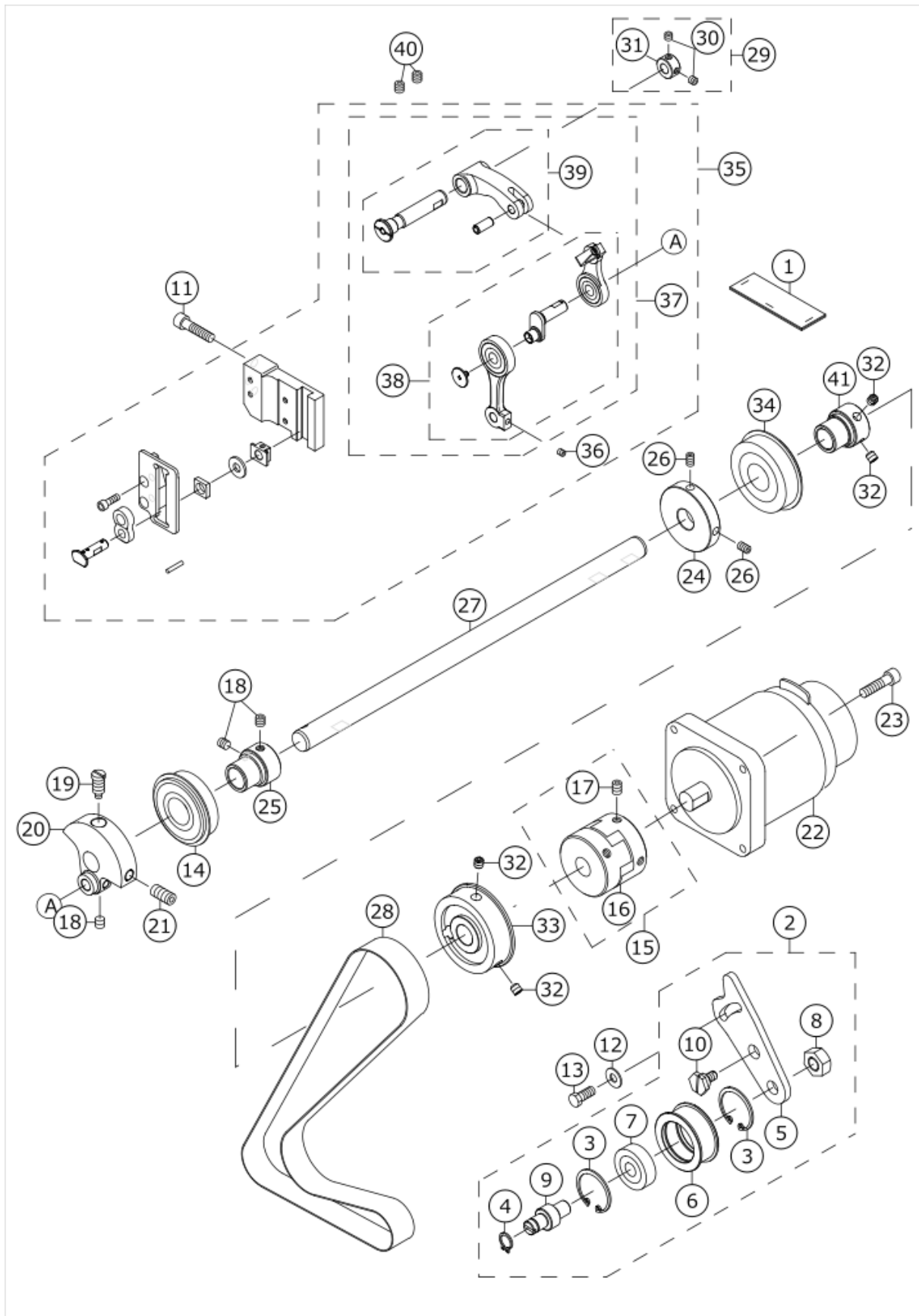
FRAME & MISCELLANEOUS COVER COMPONENTS (2)



No.	品番	品名	備考	子部品	消耗品	個数
1	40006261	ASSY_AT_SOLENOID				1.00
2	40006263	AT_SHAFT				1.00
3	40006264	AT_SHAFT HOLDER				1.00
4	RC1700001KP	RETAINING RING				1.00
5	40010514	DISK_STOPPER				1.00
6	40010511	DISK_STOPPER HOLDER_CAP				1.00
7	M90195800A0	EARTH CABLE ASM.				1.00
8	40010522	SHAFT_NUT				2.00
9	SM0860400SN	SCREW				3.00
10	SM6040860TP	SCREW M4 L=8				1.00
11	SM6050802TP	SCREW M5X0.8 L=8				3.00
12	SM8030412TP	SCREW				2.00
13	SM8030412TP	SCREW				1.00
14	SM80606A2TP	SCREW M6 L=6				1.00
15	SM9040800SP	SCREW				1.00
16	WS0410002KP	SPRING WASHER				1.00
17	SL6040892TN	BOLT				2.00
18	10006104	TAKE-UP SPRING				1.00
19	40010510	THREAD_TENSION_POST_BASE				1.00
20	40010512	THREAD_TENSION_SHAFT_COLLAR				2.00
21	32055402	THRUST COLLAR				1.00
22	40004252	UTT_SUSPENSION_SCREW_9				1.00
23	40006265	ASSY_THREAD_TENSION_POST				1.00
24	B2702210000	GUIDE PLATE				1.00
25	B2703210000	BUSHING				1.00
26	40003499	THREAD BREAK DETECTOR A				1.00
27	40011143	ASSY_BTW				1.00
28	26260109	BTW_BASE		*		1.00
29	26260208	BTW_CAM_PLATE		*		1.00
30	26260307	BTW_BASE_SHAFT		*		1.00
31	26260406	BTW_SHAFT_BASE		*		1.00
32	26260505	BTW_CAM_LEVER		*		1.00
33	26260604	BTW_WHEEL		*		1.00
34	40011144	BTW_TORSION_SPRING		*		1.00
35	26260802	BTW_BEARING_SPACER		*		1.00
36	40011145	BTW_SHAFT		*		1.00
37	40011146	BTW_LEVER_SHAFT		*		1.00
38	40021933	BTW_LEVER		*		1.00
39	26261206	BTW_SPACER		*		1.00
40	26261305	BTW_BEARING		*		2.00
41	26261503	BTW_WHEEL_RUBBER		*		1.00
42	26261602	BOBBIN_SPRING		*		1.00
43	26261701	BTW_SPRING		*		1.00
44	RC0560711KP	RETAINING RING		*		1.00
45	RE0400000K0	E-RING 4		*		1.00
46	WP0450826SC	WASHER 4.5X10X0.8		*		1.00
47	SM5040655SN	SCREW		*		1.00
48	SM8050502TP	SCREW M5 L=5		*		1.00
49	SM8040802TP	SCREW M4X8		*		2.00
50	SM6040602TP	SCREW M4 L=6				2.00

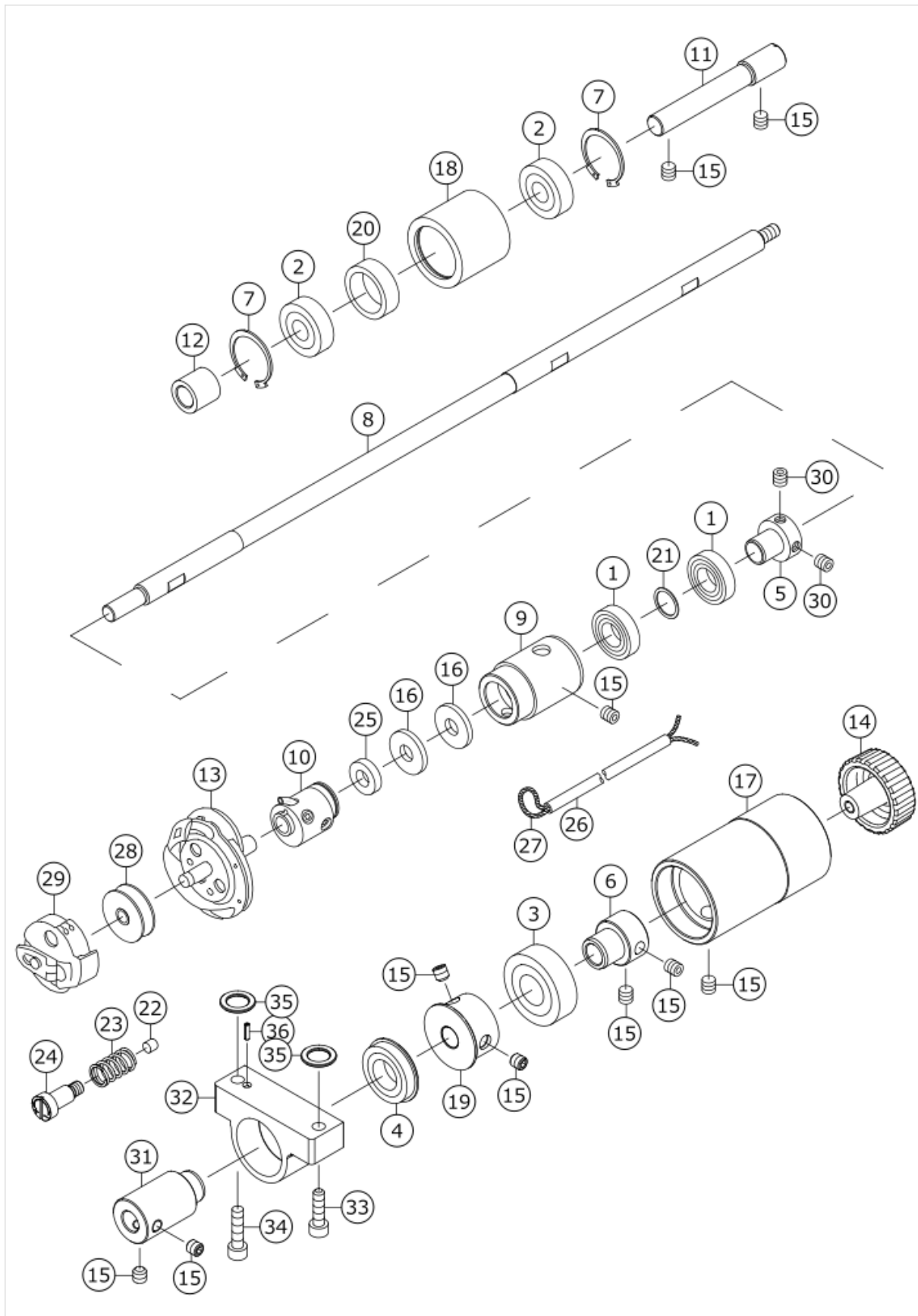
51	SM5030355SN	SCREW				8.00
52	40037008	THREAD_CUTTER				1.00
53	SM0050801SC	SCREW				4.00
54	D3162555B00	THREAD GUIDE				1.00
55	SS7110840SP	SCREW 11/64-40 L=7.8				1.00
56	EA9500B0100	CABLE BAND				12.00
57	HX00151000A	CABLE BAND				2.00
58	26230409	LUBRICATING OIL WICK STOPPER				3.00
59	22529481	BOBBIN THREAD TENSION ASM.				1.00
60	22529473	BOBBIN THREAD TENSION ROD ASM.		*		1.00
61	NS6110310SP	NUT 11/64-40		*		1.00
62	11072402	THREAD TENSION NUT		*		1.00
63	11093606	THREAD TENSION SPRING		*		1.00
64	B3214047000	BOBBIN WINDER TENSION DISC		*		2.00
65	WP0320501SC	WASHER M3				8.00
66	40152566	ARM_COVER				1.00
67	SM5040655SN	SCREW				1.00
68	40153021	INT CORD D ASSY				1.00
69	40153022	INT CORD E ASSY				1.00
70	40153023	INT CORD F ASSY				1.00
71	40153026	SWITCH_BRACKET				1.00
72	40152578	BED_STUD_PLATE				1.00
73	SM1050801SC	SCREW M5X0.8 L=8				2.00
74	40152589	SUB_TABLE_A				1.00
75	40152588	SUB_TABLE_B				1.00
76	40039896	CUSHION				1.00
77	40152584	SUB_TABLE_SUPPORT				1.00
78	40153618	SUB_TABLE_SUPPORT_SHEET				1.00
79	SM6040602TP	SCREW M4X0.7 L=6				4.00
80	WP0450801SC	WASHER 4.5X10X0.8				4.00
81	40152572	SUB_TABLE_A_SUPPORT_PLATE				2.00
82	40152579	SUB_TABLE_A_SUPPORT_PLATE_B				1.00
83	40152573	SUB_TABLE_A_MOUNTING_BASE_A				2.00
84	40152574	SUB_TABLE_A_MOUNTING_BASE_B				1.00
85	SL6040892TN	SCREW M4 L=8				16.00
86	WP0520656SA	WASHER 5.2X9.5X0.6				8.00
87	SL6061692TN	SCREW M6 L=16				4.00
88	SM6087002TN	SCREW M8 L=70				2.00
89	WP0852086SC	WASHER M8				4.00
90	NM6080001SC	NUT M8X1.25 TYPE1				4.00
91	GAK33032000	SOLENOID RUBBER				3.00
92	40152570	GAUGE_220_Y				1.00
93	40152571	GAUGE_220_X				2.00
94	40152581	GUIDE_Z				2.00
95	SM5030655SN	SCREW M3X0.5 L=6				4.00
96	WP0371016SD	WASHER 3.7X8X1				1.00
97	SM6030402TP	SCREW M3X0.5 L=4				1.00
98	WP0371016SD	WASHER 3.7X8X1				4.00
99	CM300200001	ATTENTION SEAL				2.00
100	40156274	SLIDE PROMOTING TAPE B				1.00

MAIN SHAFT COMPONENTS



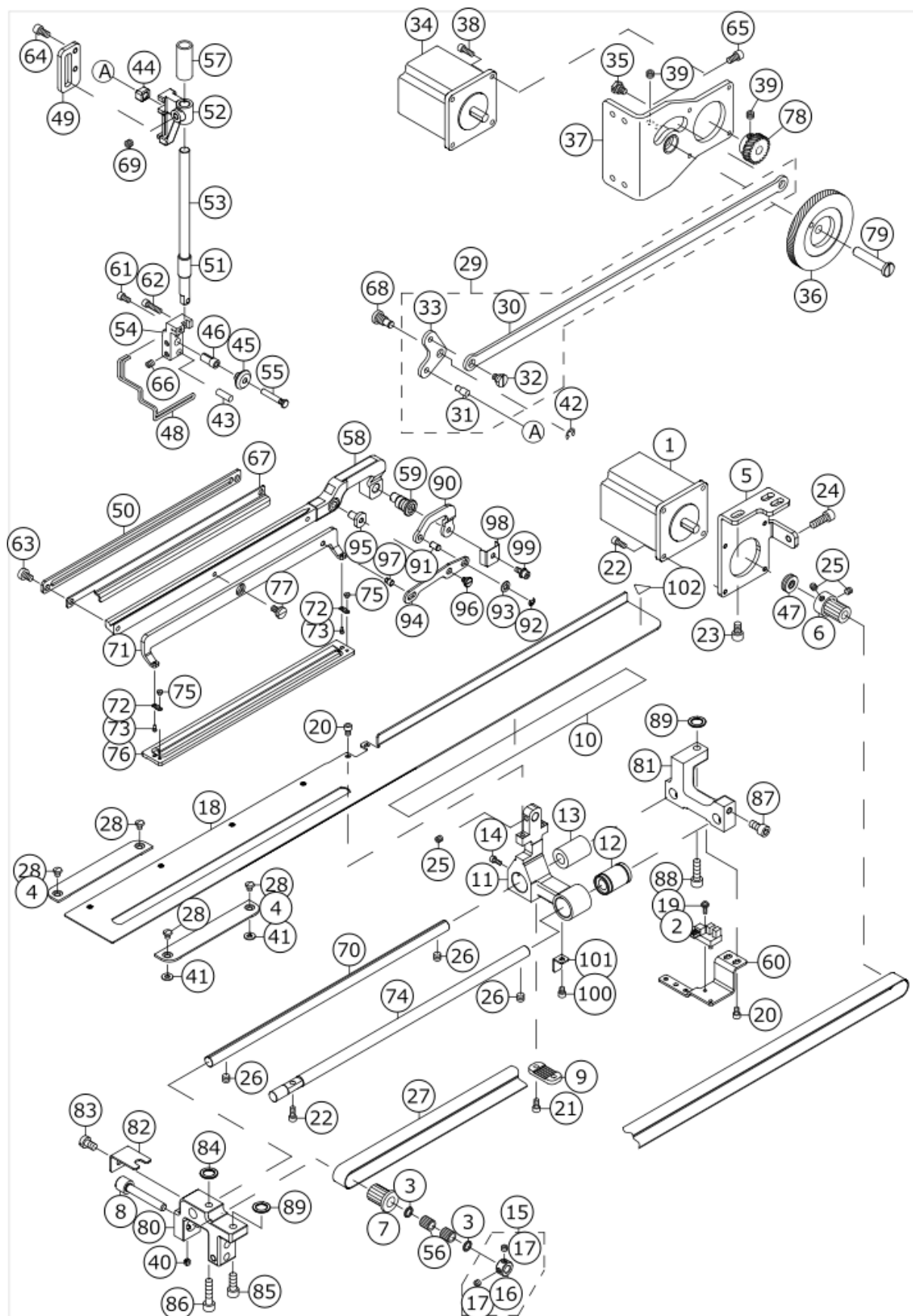
No.	品番	品名	備考	子部品	消耗品	個数
1	40011517	NEEDLE_BAR_CRANK_FELT				1.00
2	40142152	IDLER_ASSY				1.00
3	RC3000002KP	RETAINING RING		*		2.00
4	RC0100001KP	SNAP RING M10		*		1.00
5	40152582	IDLER_FIXED_PLATE_220		*		1.00
6	40153016	IDLER_PULLEY_220		*		1.00
7	SB110000100	BEARING		*		1.00
8	NM6100001SD	NUT M10		*		1.00
9	40153010	IDLER_SHAFT		*		1.00
10	40153017	IDLER_SCREW		*		1.00
11	SM6062502TP	SCREW M6 L=25				3.00
12	WP0621046SP	WASHER				1.00
13	SM9061403CP	SCREW M6 L=14				1.00
14	SB120002700	BEARING				1.00
15	40051473	COUPLING ASM.				1.00
16	40051474	COUPLING		*		1.00
17	SM80608A2TP	SCREW M6 L=8		*		4.00
18	SM80606A2TP	SCREW M6 L=6				4.00
19	40004171	COUNTER_WEIGHT_SCREW				1.00
20	40141716	COUNTER_WEIGHT				1.00
21	SM8081652TP	SCREW M8 L=16				1.00
22	40138137	IPM550W MOTOR				1.00
23	SM6052002TP	SCREW M5 L=20				4.00
24	40010534	BTW_DRIVING_WHEEL				1.00
25	23605207	BEARING HOLDER				1.00
26	40010535	DRIVING_WHEEL_SCREW				2.00
27	40154101	MAIN SHAFT 220				1.00
28	40141719	TIMING_BELT				1.00
29	40032269	THRUST COLLAR				1.00
30	SM80506A2TP	SCREW M5 L=6		*		2.00
31	CS1000881TP	THRUST COLLAR		*		1.00
32	SM80606A2TP	SCREW M6 L=6				4.00
33	40153020	SPROCKET_A_ADDITIONALLY_WORK_220				1.00
34	SB120000800	BEARING				1.00
35	40144351	SQUARE_BLOCK_GUIDE_ASM				1.00
36	SM80404A2TP	SCREW M4 L=4		*		1.00
37	40141725	THREAD_TAKE_UP_COMP		*		1.00
38	40141726	THREAD_TAKE_UP_ASM_C		*		1.00
39	40142878	TAKE_UP_CRANK_ASM.		*		1.00
40	SM80608A2TP	SCREW M6 L=8				2.00
41	23605207	MAIN SHAFT BEARING SUPPORT				1.00

HOOK DRIVING SHAFT COMPONENTS



No.	品番	品名	備考	子部品	消耗品	個数
1	SB112001600	BEARING				2.00
2	SB110000600	BALL BEARING				2.00
3	SB115000200	BEARING				1.00
4	SB115000600	BALL BEARING				1.00
5	40004188	BEARING_SUPPORT				1.00
6	23536204	BUSH				1.00
7	RC2791218KP	RETAINING RING				2.00
8	40004186	HOOK_DRIVING_SHAFT				1.00
9	40004187	HOOK_DRIVING_SHAFT_METAL				1.00
10	13729660	HOOK SLEEVE ASM.				1.00
11	40153008	INTERMEDIATE_SPROCKET_SHAFT				1.00
12	40153009	INTERMEDIATE_SPROCKET_WASHER				1.00
13	13729066	HOOK COMPL.				1.00
14	40141739	LOWER_SHAFT_KNOB_B				1.00
15	SM80606A2TP	SCREW M6 L=6				10.00
16	40011355	OIL_FILTER				2.00
17	40153005	BEARING_SUPPORT_REAR				1.00
18	40004180	SPROCKET_B				1.00
19	40141740	SPROCKET_C				1.00
20	13710405	INTERMEDIATE SPROCKET RING				1.00
21	40006317	WASHER				1.00
22	40142753	ADJUSTING_PIN_B				1.00
23	40142754	ADJUSTING_SPRING_B				1.00
24	40153617	ADJUSTING SCREW 220				1.00
25	40006320	FELT				1.00
26	23630007	TUBE				1.00
27	CQ202000000	OIL WICK				1.00
28	B1811771000	BOBBIN				1.00
29	13729769	BOBBIN CASE ASM.				1.00
30	SM8050502TP	SCREW M5 L=5				2.00
31	40153004	BUSH				1.00
32	40151936	BEARING_SUPPORT_CENTER				1.00
33	SM6051802TP	SCREW M5 L=18				1.00
34	SM6052002TP	SCREW M5 L=20				1.00
35	101112A9	THRUST WASHER				2.00
36	PS0200082KH	SPRING PIN				1.00

PRESSER & FEED COMPONENTS

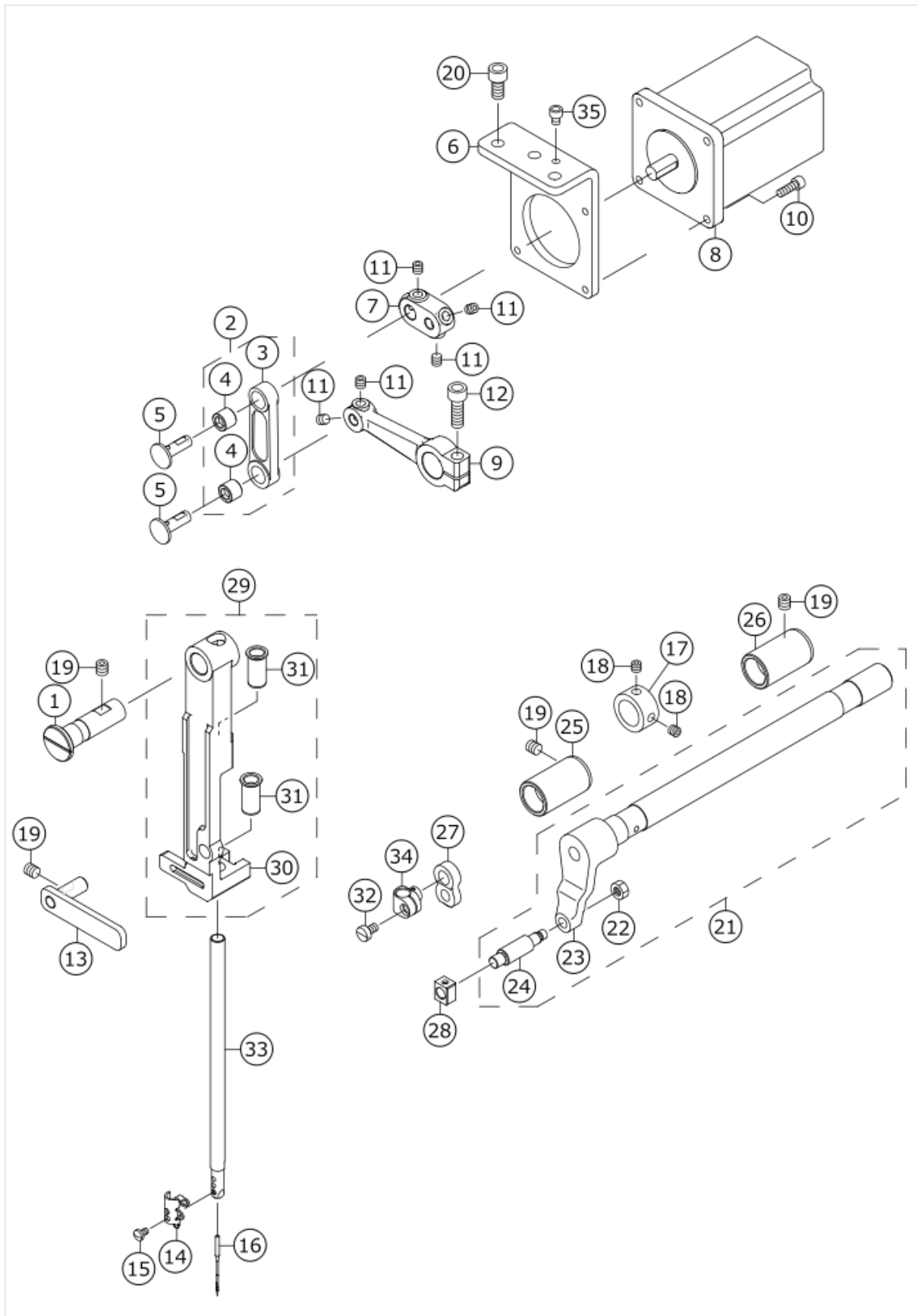


No.	品番	品名	備考	子部品	消耗品	個数
1	40139181	FEED MOTOR ASSY				1.00
2	HD00057000A	PHOTO SENSOR				1.00
3	22891204	BEARING SUPPORT				2.00
4	40075297	THROAT_PLATE_BASE_COVER				2.00
5	40152564	FEED_MOTOR_BRACKET				1.00
6	40108754	PULLEY_B				1.00
7	40004197	PULLEY_C				1.00
8	40004198	SUPPORT_SHAFT				1.00
9	40004200	TIMING_BELT HOLDER				1.00
10	40154136	SLIDE_PROMOTING_TAPE_300				1.00
11	40151935	FEED_BASE_220				1.00
12	SB710000600	BEARING				1.00
13	SB710000500	BEARING				1.00
14	SM6030802TP	SCREW M3X0.5 L=8				1.00
15	40010434	THRUST_COLLAR_ASM.				1.00
16	40010435	THRUST_COLLAR		*		1.00
17	SM8050412TP	SCREW M5 L=4		*		2.00
18	40156791	WORK_CLAMP_CARRIER_220				1.00
19	SL4031091SC	SCREW M3 L=10				1.00
20	SM6040602TP	SCREW M4 L=6				4.00
21	SM6040802TP	SCREW M4X0.7 L=8				2.00
22	SM6041002TP	SCREW M4 L=10				5.00
23	SM6061002TP	SCREW M6 L=10				3.00
24	SM6061802TP	SCREW M6 L=18				1.00
25	SM8050502TP	SCREW M5 L=5				3.00
26	SM80606A2TP	SCREW M6 L=6				3.00
27	40141742	TIMING_BELT				1.00
28	SM5040550TP	SCREW M4 L=5				4.00
29	40142161	LIFTING_LINK_ASSY				1.00
30	40141788	LINK_ROD_S		*		1.00
31	40141801	LIFTING_LINK_PIN		*		1.00
32	SD0800326TP	SHOULDER SCREW		*		1.00
33	40142755	LIFTING_LINK		*		1.00
34	40139182	CLAMP MOTOR ASSY				1.00
35	SD0800326TP	SHOULDER SCREW				1.00
36	40004289	ASSY_PBL_GEAR_L				1.00
37	40004267	ASSY_PBL_MOTOR_BASE				1.00
38	SM6041202TP	SCREW M4X0.7 L=12				4.00
39	SM8060552TP	SCREW M6 L=5				5.00
40	SM80606A2TP	SCREW M6 L=6				1.00
41	WP0451026SH	WASHER				2.00
42	RE0500000K0	E-RING				1.00
43	13127402	PIN (SHORT) C				1.00
44	40141757	SQUARE_BLOCK				1.00
45	40141755	SLIDE_ROLLER				1.00
46	40141754	COLLAR				1.00
47	SB408000100	BEARING				1.00
48	40004285	PBL_FINGER_GUARD				1.00
49	40141794	PBL_GUIDE				1.00
50	40152585	LIFTING_PLATE_220				1.00

51	40004279	PBL_METAL				1.00
52	40141747	POSITION_BRACKET				1.00
53	40141745	PRESSER_BAR				1.00
54	40141753	PBL_ROLLER_BASE				1.00
55	40141756	PBL_ROLLER_SHAFT				1.00
56	SB307000200	BEARING				2.00
57	40141746	METAL_U				1.00
58	40151938	PBL_WORK_CLAMP_ARM_220				1.00
59	40154395	PBL_WORK_CLAMP_ARM_SHAFT_220				1.00
60	40152568	FEED_SENSOR_PLATE_220				1.00
61	SM6040802TP	SCREW M4X0.7 L=8				1.00
62	SM6041602TP	SCREW M4X0.7 L=16				1.00
63	SM6050800SP	SCREW M5 L=8				2.00
64	SM6051002TP	SCREW M5X0.8 L=10				4.00
65	SM6051002TP	SCREW M5X0.8 L=10				4.00
66	SM8050602TP	SCREW M5 L=6				2.00
67	40152565	UTT_CLOSE_CAM_220B				1.00
68	40141748	LIFTING_LINK_SHAFT				1.00
69	SM8060612TP	SCREW M6 L=6				1.00
70	40153007	FEED_SHAFT				1.00
71	40152587	WORK_CLAMP_CHECK HOLDER_220				1.00
72	B1509761000	WORK CLAMP CHECK SPRING				2.00
73	B151077100B	WORK CLAMP CHECK SPRING SET PIN (B)				2.00
74	40153006	FEED GUIDE SHAFT				1.00
75	SS6060210SP	SCREW 3/32-56 L=1.9				2.00
76	40156767	WORK_CLAMP_220				1.00
77	SD0790203SP	HINGE SCREW D=7.94 H=2				1.00
78	40004291	PBL GEAR S				1.00
79	40004275	PBL_GEAR_SHAFT				1.00
80	40151937	FEED_SHAFT_BLOCK_A				1.00
81	40151939	FEED_SHAFT_BLOCK_B				1.00
82	40152567	L_BLOCK				1.00
83	SM6061010TP	SCREW				1.00
84	10111201	THRUST WASHER				1.00
85	SM6061602TP	SCREW				1.00
86	SM6062502TP	SCREW				1.00
87	SM6061202TP	SCREW				1.00
88	SM6062002TP	SCREW				1.00
89	101112A9	THRUST WASHER 1.3				2.00
90	40152576	PARALLEL_LINK_PIN_BASE				1.00
91	40153024	PARALLEL_LINK_PIN_B				1.00
92	RE0300000K0	E-RING 3				1.00
93	WP0531000SD	WASHER M5				1.00
94	40152577	PARALLEL_LINK_ARM				1.00
95	40153013	PARALLEL_SCREW				1.00
96	SD0600208TP	SHOULDER SCREW D=6 H=2				1.00
97	40153012	PARALLEL_LINK_PIN				1.00
98	40152569	GREASE_COVER				1.00
99	SL6040892TN	BOLT				1.00
100	SM6040502TP	SCREW M4X0.7 L=5				1.00
101	40141744	SENSOR_SLIT_PLATE				1.00

102	CM300200001	ATTENTION SEAL				1.00
-----	-------------	----------------	--	--	--	------

NEEDLE BAR ROCKING COMPONENTS

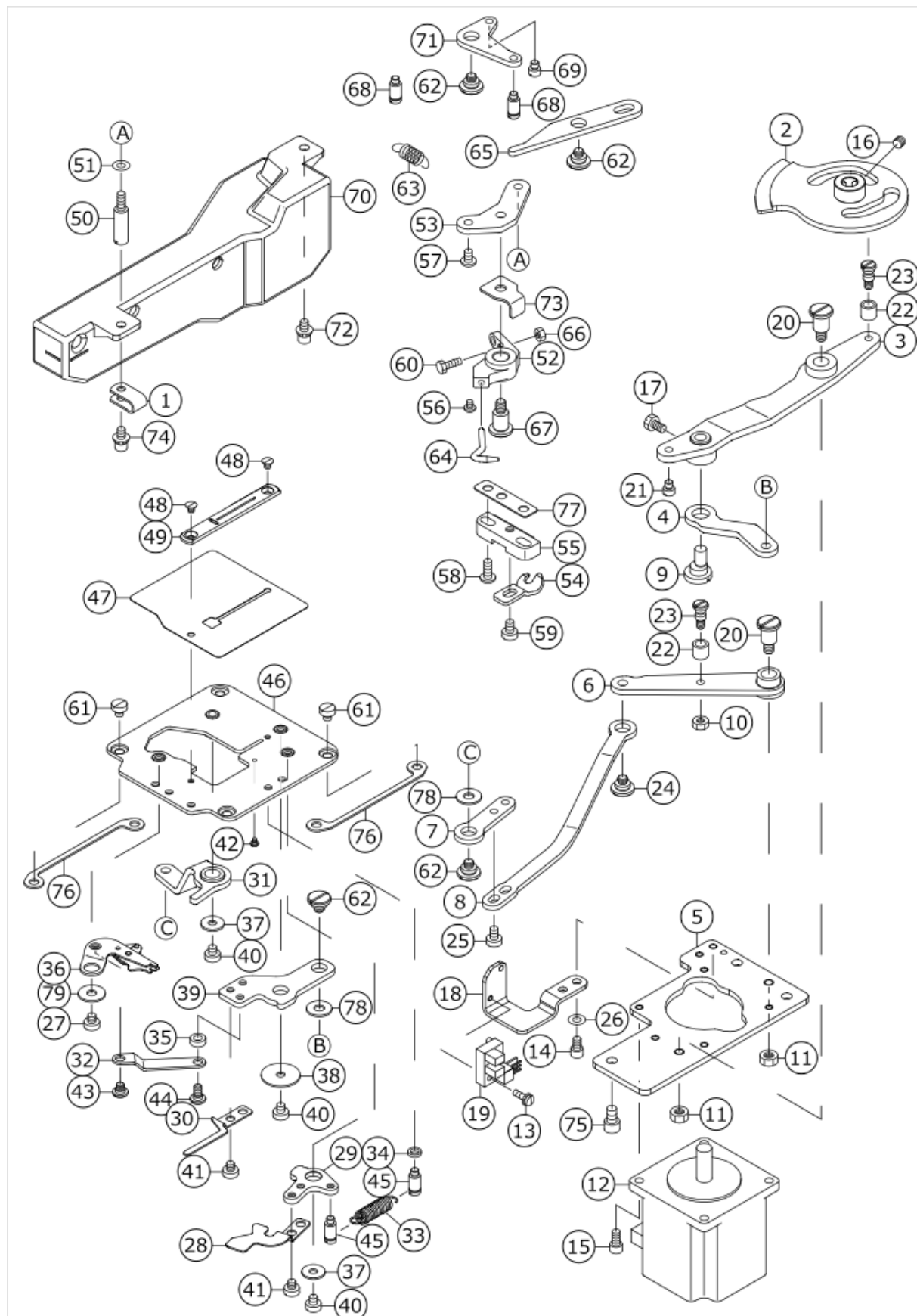


No.	品番	品名	備考	子部品	消耗品	個数
1	40088990	SUPPORT_SHAFT				1.00
2	40004378	ZIGZAG ROD ASM.				1.00
3	40004379	ZIGZAG ROD		*		1.00
4	23530405	SHAFT HOLDER LINK BUSH		*		2.00
5	40008671	P=JUNCTION SHAFT SELECTIVE PARTS	SELECTIVE PARTS			2.00
6	40141758	ZIGZAG_DRIVE_UNIT_BASE				1.00
7	40141759	MOTOR_LEVER				1.00
8	40139180	NEEDLE SWING MOTOR ASSY				1.00
9	40141760	ZIGZAG_LEVER_REAR				1.00
10	SM6041202TP	SCREW M4X0.7 L=12				4.00
11	SM8050502TP	SCREW M5 L=5				6.00
12	SM6061802TP	SCREW M6 L=18				1.00
13	40004218	FRAME SUPPORT PLATE ASM.				1.00
14	13706403	NEEDLE BAR THREAD GUIDE				1.00
15	SM7030550TP	SCREW M3 L=4.5				1.00
16	MDP5J0B1100	NEEDLE DPX5 #11J				1.00
17	CS1501181TP	THRUST COLLAR D=15 W=11				1.00
18	SM8050502TP	SCREW M5 L=5				2.00
19	SM80606A2TP	SCREW M6 L=6				4.00
20	SM6061202TP	SCREW M6 L=12				3.00
21	40004224	ZIGZAG LEVER SHAFT ASM.				1.00
22	NM6050001SP	NUT M5		*		1.00
23	40004373	ZIGZAG LEVER SHAFT		*		1.00
24	40004374	ZIGZAG_STUD		*		1.00
25	40004216	BUSHING				1.00
26	40004217	BUSHING REAR				1.00
27	40004209	NEEDLE_BAR_ROD				1.00
28	B1414232000	SQUARE BLOCK				1.00
29	40004222	NEEDLE_BAR_FRAME_ASSY				1.00
30	40004212	NEEDLE_BAR_FRAME		*		1.00
31	40004213	NEEDLE BAR METAL		*		2.00
32	SM6040750TP	SCREW M4 L=7				1.00
33	40004215	NEEDLE BAR				1.00
34	40004214	NEEDLE_BAR_CONNECTION				1.00
35	SM6040502TP	SCREW M4X0.7 L=5				1.00

No.	品番	品名	備考	子部品	消耗品	個数
1	RE030000K0	E-RING 3				1.00
2	RE030000K0	E-RING 3				1.00
3	EA9500B0100	CABLE BAND				1.00
4	40004293	UTT BASE PLATE				1.00
5	NM6050001SP	NUT M5				4.00
6	WP0430801SC	WASHER 4.3X9X0.8				1.00
7	SL4031091SC	SCREW M3 L=10				1.00
8	SD0600266TP	SHOULDER SCREW D=6 H=2.6				1.00
9	SM6040600SP	SCREW M4 L=6				2.00
10	SM6040602TP	SCREW M4 L=6				2.00
11	SM6040860TP	SCREW M4 L=8				1.00
12	SM6040802TP	SCREW M4X0.7 L=8				4.00
13	SM6041200SP	SCREW M4 L=12				2.00
14	SM6050652TP	HEXAGON SOCKET HEAD SCREW M5X6				2.00
15	SM6050800SP	SCREW M5 L=8				2.00
16	SM6050802TP	SCREW M5X0.8 L=8				2.00
17	40004400	ASSY UTT RELEASE ARM B				1.00
18	SM6040602TP	SCREW M4 L=6				1.00
19	SM8050412TP	SCREW M5 L=4				2.00
20	SM8050502TP	SCREW M5 L=5				4.00
21	SD0600326TP	SHOULDER SCREW D=6 H=3.2				4.00
22	SD0800406TP	SHOULDER SCREW D=8 H=4				1.00
23	SD0801506TP	SHOULDER SCREW D=8 H=15				3.00
24	11272507	SPRING				1.00
25	CS0800881TP	THRUST COLLAR				1.00
26	40004235	UTT ARM A				1.00
27	40004238	UTT_ARM_B				1.00
28	40101641	ASSY_UTT_CAM_ARM				2.00
29	40004254	UTT CAM ROLLER		*		1.00
30	40101638	UTT_CAM_ROLLER_SHAFT		*		1.00
31	40101642	UTT_CAM_ARM		*		1.00
32	NM6040000SN	NUT M4		*		1.00
33	40004264	UTT RELEASE LEVER BASE				1.00
34	40004265	UTT RELEASE LEVER SHAFT				1.00
35	40141774	SENSOR_PLATE_UTT				1.00
36	40004296	UTT_SUPPORT_ARM_SPRING				1.00
37	40004234	UTT SUPPORT SHAFT				1.00
38	40004248	UTT SUSPENSION SCREW 4				2.00
39	40004252	UTT SUSPENSION SCREW 9				1.00
40	40004247	UTT SUSPENSION SHOULDER SCREW				1.00
41	40004244	UTT THREAD PULLING LINK A				1.00
42	40004245	UTT THREAD PULLING LINK B				1.00
43	40004236	UTT X-CAM				1.00
44	40004297	UTT Y-DRIVE ROLLER				1.00
45	40004298	UTT Y-DRIVE SHAFT				1.00
46	40140040	UTT TRIM MOTOR ASSY				1.00
47	HD00057000A	PHOTO SENSOR				1.00
48	40028634	ASSY_UTT_RELEASE_LEVER_B				1.00
49	40142166	ASSY_UTT_DRIVE_CAM				1.00
50	40004240	ASSY UTT THREAD PULLING ARM				1.00

51	40015702	UTT_RATCH_PLATE_B				1.00
52	40004232	ASSY_UTT_SUPPORT_ARM				1.00
53	WP0431005SP	PLAIN WASHER 4.3X12X1				1.00
54	40015674	UTT_RATCH_STOPPER				1.00
55	SM6040602TP	SCREW M4 L=6				2.00
56	WP0550800SP	WASHER 5.5X10X0.8				2.00
57	NM6050001SP	NUT M5				1.00
58	SM6040602TP	SCREW M4 L=6				1.00
59	SM6040600SP	SCREW M4 L=6				1.00
60	SM6050802TP	SCREW M5X0.8 L=8				1.00
61	40028636	UTT_GUIDE_SHAFT_B				1.00
62	40004249	UTT SUSPENSION PLATE				1.00
63	40004243	UTT THREAD PULLING LEVER				1.00
64	40004246	UTT THREAD PULLING SHAFT				1.00
65	40004250	UTT TRIMMER CLOSE SPRING				1.00
66	40004297	UTT Y-DRIVE ROLLER				1.00
67	40004298	UTT Y-DRIVE SHAFT				1.00
68	SM6051202TP	SCREW M5X0.8 L=12				3.00
69	MAZ16013000	BUTTON SUPPORT LEVER SPRING				1.00
70	40004255	ASSY_UTT_TRIMMER				1.00
71	40004294	UTT RELEASE ARM A				1.00

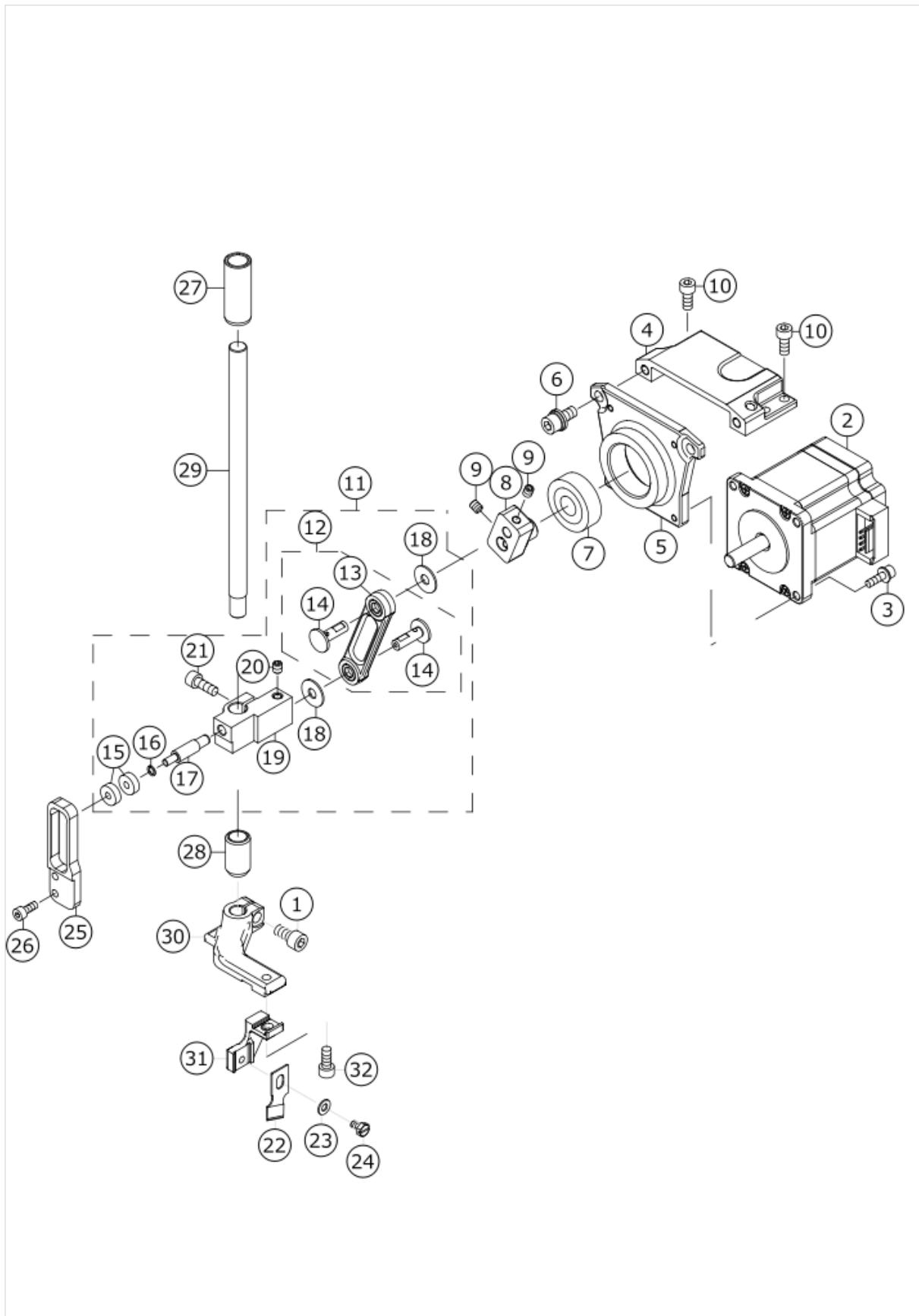
BOBBIN THREAD TRIMMER COMPONENTS



No.	品番	品名	備考	子部品	消耗品	個数
1	HX00150000A	CABLE CLAMP				1.00
2	40142170	ASSY_BTT_DRIVE_CAM				1.00
3	40004336	ASSY_BTT_DRIVE_LEVER				1.00
4	40004329	BTT_DRIVE_LINK				1.00
5	40141778	BTT_DRIVE_UNIT_BASE				1.00
6	40101649	BTT_RELEASE_LEVER				1.00
7	40004343	BTT_RELEASE_LINK_F				1.00
8	40004344	BTT_RELEASE_LINK_R				1.00
9	13737408	LINK ROD				1.00
10	NM6040001SD	NUT M4				1.00
11	NM6050001SP	NUT M5				2.00
12	40140041	DT TRIM MOTOR ASSY				1.00
13	SL4031091SC	SCREW M3 L=10				1.00
14	SM6040602TP	SCREW M4 L=6				2.00
15	SM6040802TP	SCREW M4X0.7 L=8				4.00
16	SM8050412TP	SCREW M5 L=4				2.00
17	SM9040700SP	HEXAGONAL BOLT				1.00
18	40141779	SENSOR_PLATE_BTT				1.00
19	HD00057000A	PHOTO SENSOR				1.00
20	SD0801006TP	SHOULDER SCREW D=8 H=10				2.00
21	40004299	STOPPER_PIN				1.00
22	40004254	UTT_CAM_ROLLER				2.00
23	40101638	UTT_CAM_ROLLER_SHAFT				2.00
24	SD0800296TP	SHOULDER SCREW D=8 H=2.9				1.00
25	SM6040600SP	SCREW M4 L=6				2.00
26	WP0430801SC	WASHER 4.3X9X0.8				2.00
27	SM6040460TP	SCREW				1.00
28	40022323	BT_CLAMP_B				1.00
29	40004309	BT_CLAMP_LEVER				1.00
30	40022322	BT_PULLER_B				1.00
31	40004321	ASSY_BT_RELEASE_ARM				1.00
32	40004308	BT_TRIMMER_LINK				1.00
33	40029613	CLAMP_SPRING				1.00
34	B1623180000	WASHER				1.00
35	B3013141H0A	WASHER				1.00
36	40004311	BT_TRIMMER				1.00
37	WP0431005SP	PLAIN WASHER 4.3X12X1				2.00
38	WP0451016SP	WASHER 4.5X20X1				1.00
39	40004306	BTT_LEVER				1.00
40	SM6040450TP	SCREW M4 L=4				3.00
41	SM6040450TP	SCREW M4 L=4				4.00
42	SD0250101SP	HINGE SCREW				1.00
43	SD0500166TP	SHOULDER SCREW D=5 H=1.6				1.00
44	SD0500167TP	SHOULDER SCREW D=5 H=1.6				1.00
45	40004327	SUSPENSION_SCREW				2.00
46	40004301	ASSY_THROAT_PLATE_BASE				1.00
47	40004324	OIL_SHIELD				1.00
48	SM1030400SP	SCREW M3 L=4				2.00
49	40156792	THROAT PLATE 3B				1.00
50	40011205	STUD				1.00

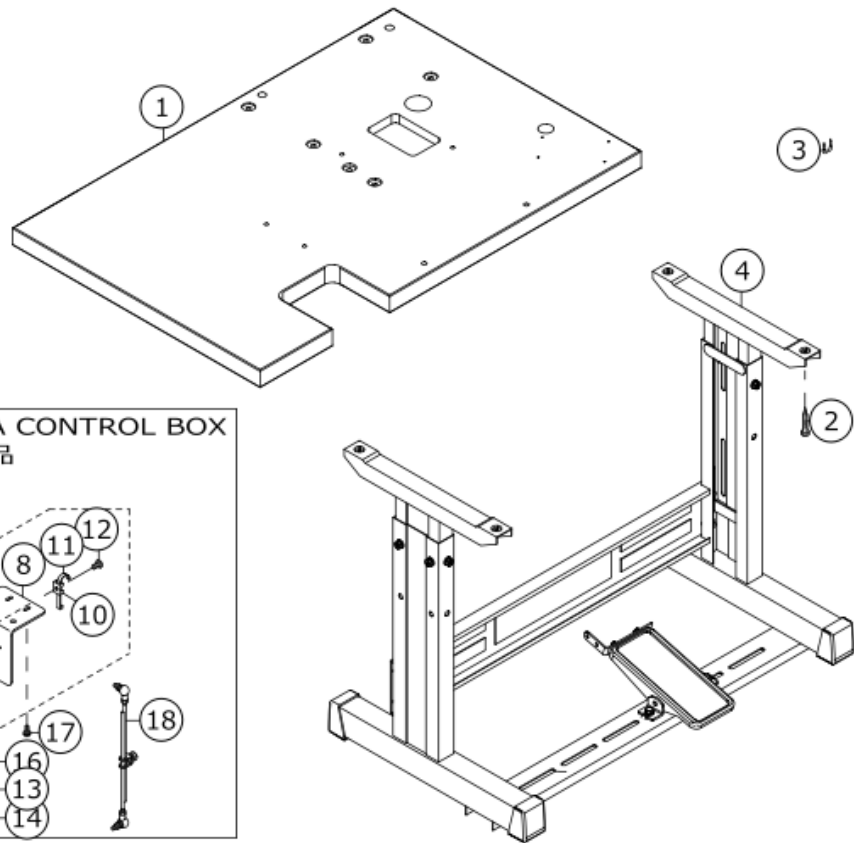
51	WP0430800SC	WASHER M4				1.00
52	40004345	PICKER_BASE				1.00
53	40004347	PICKER_BASE_FITTING_PLATE				1.00
54	13727102	STOPPER A				1.00
55	40004325	POSITIONING_PLATE_BASE				1.00
56	SM4030455SN	SCREW M3 L=4				1.00
57	SM6040602TP	SCREW M4 L=6				1.00
58	SM4041050TP	SCREW M4 L=10				2.00
59	SM6040600SP	SCREW M4 L=6				1.00
60	SM6041200SP	SCREW M4 L=12				1.00
61	SM6040450TP	SCREW M4 L=4				4.00
62	SD0800296TP	SHOULDER SCREW D=8 H=2.9				4.00
63	40011327	PICKER_SPRING				1.00
64	40004346	PICKER				1.00
65	40004348	PICKER_ACTUATING_LEVER				1.00
66	NM6040001SD	NUT M4				1.00
67	SD0801006TP	SHOULDER SCREW D=8 H=10				1.00
68	40004327	SUSPENSION_SCREW				2.00
69	40004299	STOPPER_PIN				1.00
70	40141802	OIL_TANK				1.00
71	40004349	PICKER_ACTUATING_L_LINK				1.00
72	SL6040892TN	SCREW				4.00
73	40004328	PICKER_BASE_STOPPER				1.00
74	SL6041092TN	SCREW				1.00
75	SM6050802TP	SCREW M5X0.8 L=8				3.00
76	40011319	THROAT_PLATE_BASE_SPACER				2.00
77	40004326	BTT_SPACER				1.00
78	WP0551016SH	WASHER 5.5X13X1				2.00
79	WP0501046SC	WASHER 5X13X1				1.00

CLOTH CUTTING KNIFE COMPONENTS

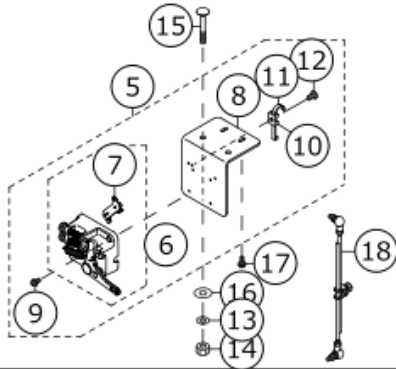


No.	品番	品名	備考	子部品	消耗品	個数
1	SM6061202TP	SCREW M6 L=12				1.00
2	40139183	CLOTH CUT MOTOR ASSY				1.00
3	SL6041492TN	SCREW				4.00
4	40141781	MOTOR_BASE_A				1.00
5	40141780	MOTOR_BASE_B				1.00
6	SL6061492TN	BOLT				2.00
7	SB112000300	BEARING				1.00
8	40141782	KNIFE_DRIVING_BLOCK				1.00
9	SM8050612TP	SCREW M5X6				3.00
10	SM6051202TP	SCREW M5X0.8 L=12				4.00
11	40142163	KNIFE_DRIVING_ASSY				1.00
12	40142164	KNIFE_DRIVING_LINK_ASSY		*		1.00
13	40141783	KNIFE_DRIVING_LINK_COMBINATION		*		1.00
14	40010288	JUNCTION SHAFT C		*		2.00
15	SB104000800	BEARING		*		2.00
16	40010489	AT_PIVOT_SCREW_WASHER		*		1.00
17	40141786	SUPPORT_SHAFT		*		1.00
18	40042089	THRUST WASHER		*		2.00
19	40141785	KNIFE_BAR_BRACKET		*		1.00
20	SM8050612TP	SCREW M5X6		*		1.00
21	SM6051402TP	SCREW M5X0.8 L=14		*		1.00
22	B2702047L00A	KNIFE 1/2				1.00
23	WP0430801SC	WASHER M4				1.00
24	SM9040700SP	HEXAGONAL BOLT				1.00
25	40141787	SUPPORT_GUIDE				1.00
26	SM6041002TP	SCREW M4 L=10				2.00
27	40004398	KNIFE_BAR_BUSH				1.00
28	40040276	KNIFE_BAR_LOWER_BUSHING				1.00
29	40004394	KNIFE BAR				1.00
30	40004396	KNIFE_BAR_BASE				1.00
31	40004393	KNIFE_FITTING_BASE				1.00
32	SM6051202TP	SCREW M5X0.8 L=12				1.00

TABLE COMPONENTS

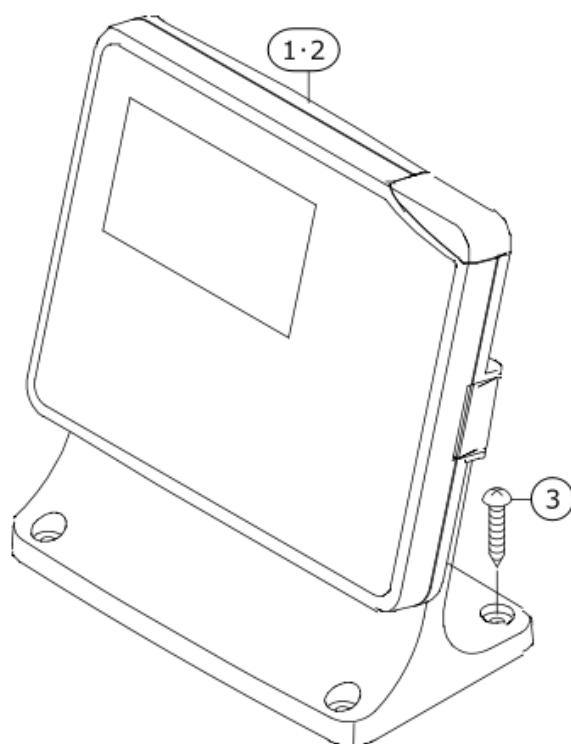


ACCESSORIES OF A CONTROL BOX 制御ボックスの付属品



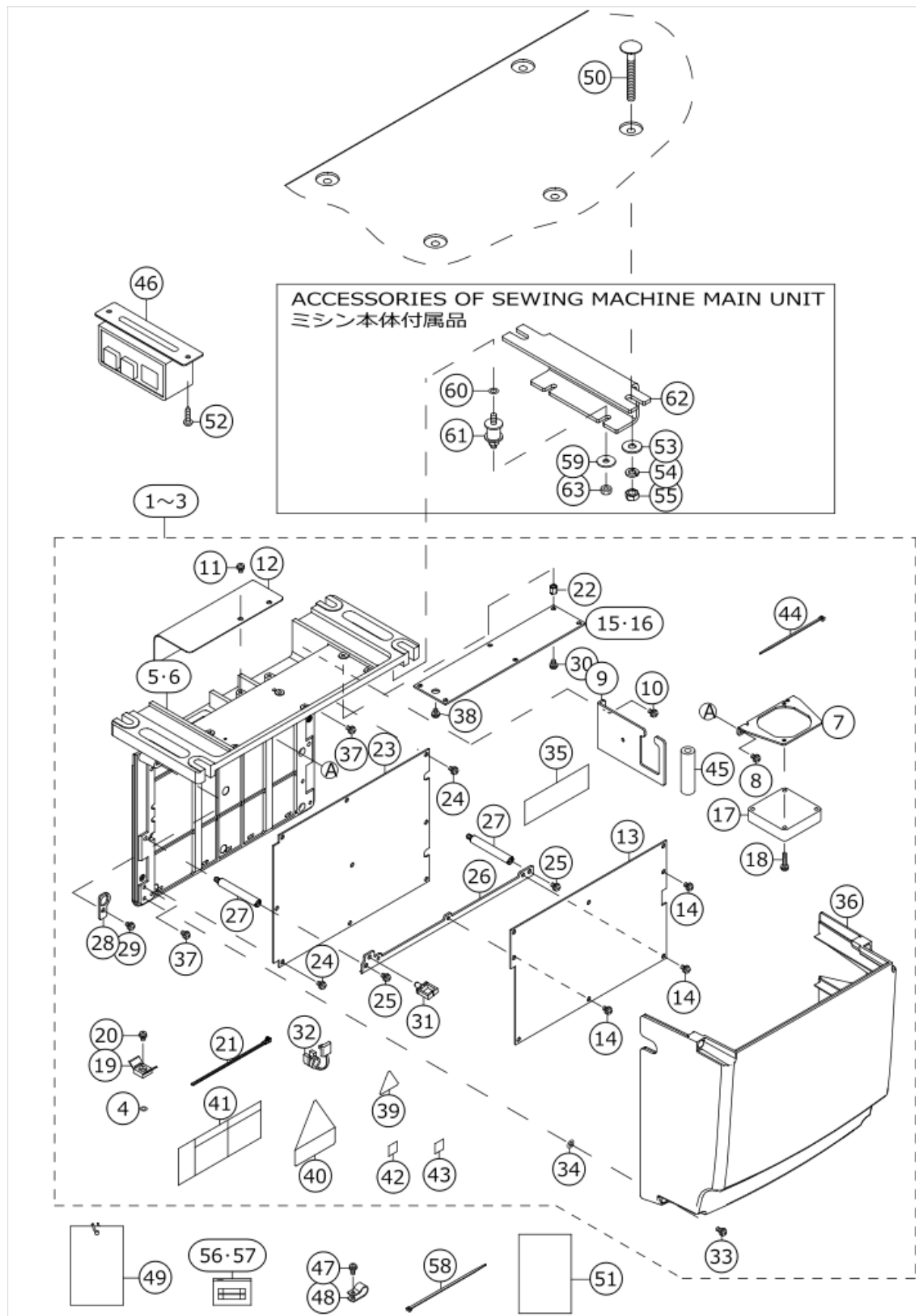
No.	品番	品名	備考	子部品	消耗品	個数
1	40153015	TABLE				1.00
2	ST9053511SR	TAPPING SCREW M5X35				4.00
3	D8204555D00	DRAWER STOPPER				1.00
4	14191951	T-STAND COMPL.				1.00
5	40094262	PEDAL SENSOR BASE ASSY				1.00
6	40094259	PEDAL SENSOR ASM.		*		1.00
7	40094260	SENSOR COIL HOLD ASSY		*		1.00
8	40093423	SENSOR_BRACKET		*		1.00
9	SL4041091SC	SCREW M4 L=10		*		3.00
10	KX000000210	SADDLE TYPE TIE MOUNT		*		1.00
11	KX000000230	RELEASIBLE CABLE TIE		*		1.00
12	SM4051001SC	SCREW M5 L=10		*		1.00
13	WS0820002KR	SPRING WASHER M8				2.00
14	NM6080002SC	NUT M8				2.00
15	MTSHJ100003	BOLT				2.00
16	WP0851846SC	WASHER 8.5X22.0X1.8				2.00
17	SL4051291SC	SCREW M5X0.8 L=12				2.00
18	40042134	CONNECING_ROD_ASSY				1.00

OPERATION BOX COMPONENTS (ACCESSORIES OF A CONTROL BOX)



No.	品番	品名	備考	子部品	消耗品	個数
1	40141333	LBH OPERATION PANEL ASSY	FOR 1-PHASE 220 ~ 240V,3-PHASE 200 ~ 240V,1-PHASE 220 ~ 240V(FOR CHINA)			1.00
2	40141334	LBH OPERATION PANEL ASSY CE	FOR 1-PHASE CE 220 ~ 240V			1.00
3	SK3382001SE	SCREW D=3.8 L=20				4.00

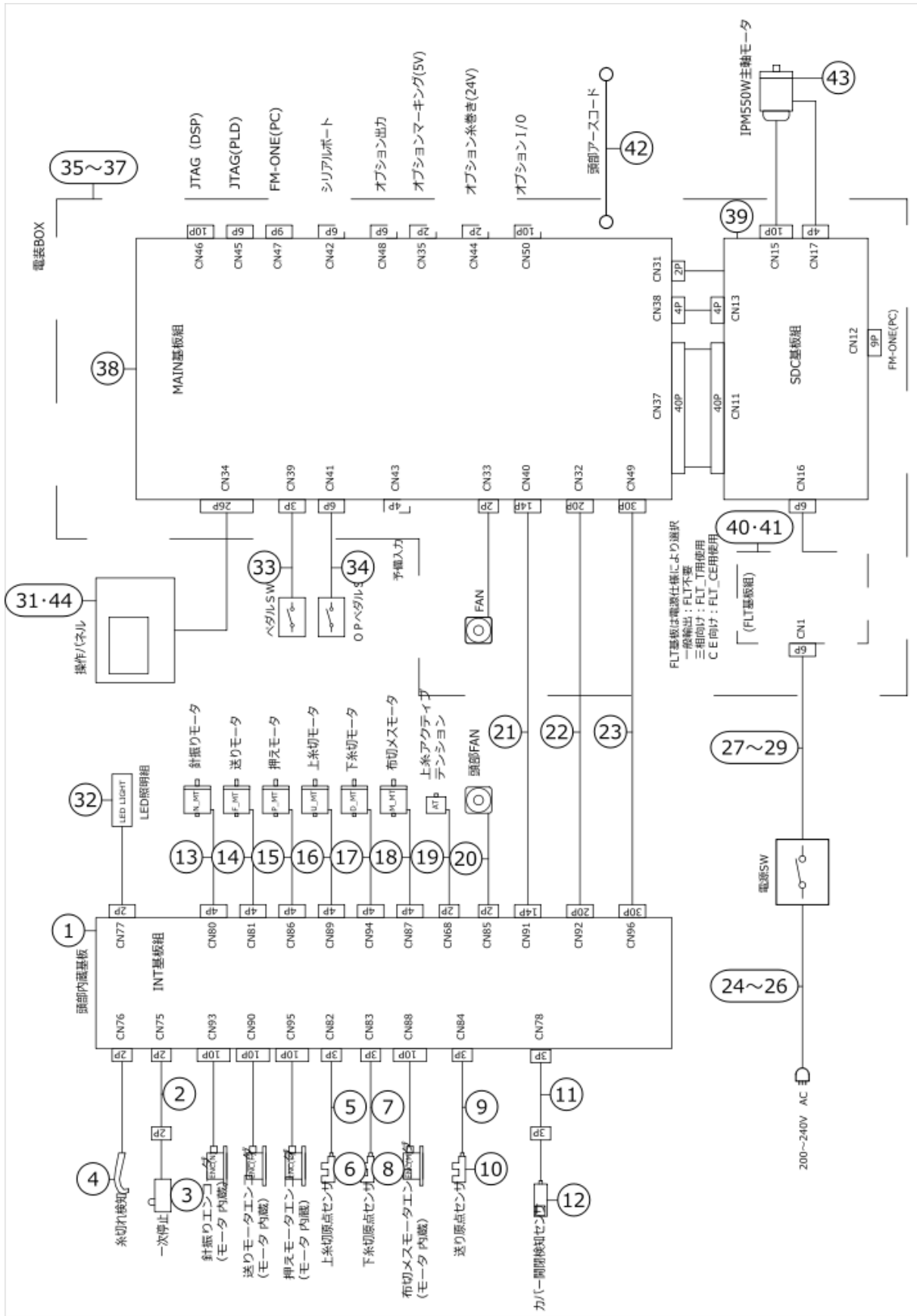
CONTROL BOX COMPONENTS



No.	品番	品名	備考	子部品	消耗品	個数
1	40141500	MC602 CTL BOX A ASM.	FOR 1-PHASE 220 ~ 240V			1.00
2	40141501	MC602 CTL BOX B ASM.	FOR 3-PHASE 200 ~ 240V			1.00
3	40141502	MC602 CTL BOX C ASM.	FOR 1-PHASE CE 220 ~ 240V			1.00
4	WP0430800SC	WASHER M4	FOR 3-PHASE 20 0 ~ 240V,1-PHASE CE 220 ~ 240V	*		1.00
5	40143989	FRAME_B	FOR 3-PHASE 20 0 ~ 240V,1-PHASE CE 220 ~ 240V	*		1.00
6	40143988	FRAME_A	FOR 1-PHASE 220 ~ 240V	*		1.00
7	40115874	FAN PLATE		*		1.00
8	SL4040881SC	SCREW M4 L=8		*		2.00
9	40115876	PLATE B		*		1.00
10	SL4040881SC	SCREW M4 L=8		*		2.00
11	SL4040881SC	SCREW M4 L=8		*		2.00
12	40115879	FAN COVER		*		1.00
13	40138920	MAIN PCB ASSY		*		1.00
14	SL4040881SC	SCREW M4 L=8		*		8.00
15	40105465	FLT-T PCB ASSY	FOR 3-PHASE 200 ~ 240V	*		1.00
16	40105475	FLT-CE PCB ASSY	FOR 1-PHASE CE 220 ~ 240V	*		1.00
17	40111214	FAN MOTOR ASSY		*		1.00
18	SL4042091SC	SCREW M4X0.7 L=20		*		2.00
19	KX000000260	SADDLE TYPE TIE MOUNT		*		1.00
20	SL4040881SC	SCREW M4 L=8		*		1.00
21	HX00292000A	CONNECTING PARTS		*		1.00
22	HX00339000M	SPACER	FOR 3-PHASE 20 0 ~ 240V,1-PHASE CE 220 ~ 240V	*		6.00
23	40142267	SDC PCB ASSY		*		1.00
24	SL4041081SC	SCREW M4 L=10		*		4.00
25	SL4040881SC	SCREW M4 L=8		*		2.00
26	40115877	MAIN PLATE		*		1.00
27	40143990	STUD		*		2.00
28	40115878	PLATE C		*		1.00
29	SL4040881SC	SCREW M4 L=8		*		1.00
30	SL4040881SC	SCREW M4 L=8	FOR 3-PHASE 20 0 ~ 240V,1-PHASE CE 220 ~ 240V	*		6.00
31	HX00222000D	WIRE SADDLE		*		1.00
32	KX000000320	BUSH		*		1.00
33	SL4041281SC	SCREW M4X0.7 L=12		*		4.00
34	M8002430000	STOPPER		*		4.00
35	40114398	MAIN COOL SHEET		*		2.00
36	40114136	COVER		*		1.00

37	SL4040881SC	SCREW M4 L=8		*		3.00
38	SL4030881SC	SCREW M3 L=8	FOR 3-PHASE 200 ~ 240V	*		1.00
39	CM300100001	LABEL	FOR 1-PHASE 220 ~ 240V,1-PHASE CE 220 ~ 240V,1-PHASE 220 ~ 240V(FOR CHINA)	*		1.00
40	CM300400602	VOLTAGE CAUTION LABEL L=25		*		1.00
41	CM300100402	VOLTAGE DANGER LABEL 3(SMALL)	FOR 3-PHASE 200 ~ 240V	*		1.00
42	CM600100101	WEEE MARK LABEL S	FOR 1-PHASE CE 220 ~ 240V	*		1.00
43	40150131	EAC_MARK_LABEL_S	FOR 1-PHASE CE 220 ~ 240V	*		1.00
44	EA9500B0100	CABLE BAND		*		1.00
45	E8760452S00	TUBE	FOR 3-PHASE 200 ~ 240V,1-PHASE CE 220 ~ 240V	*		0.06
46	40113427	POWER SWITCH				1.00
47	SL4041091SC	SCREW M4 L=10				2.00
48	HX00150000D	CABLE CLIP				2.00
49	M300451100A	VOLTAGE INDICATION CARD A				1.00
50	MTSHJ100003	BOLT				4.00
51	40126054	CORE SET UP MANUAL				1.00
52	SK3512001SE	WOOD SCREW D=5.1 L=20				2.00
53	WP0852086SC	WASHER M8				4.00
54	WS0820002KR	SPRING WASHER M8				4.00
55	NM6080002SC	NUT M8				4.00
56	HF0013050P0	FUSE 5A				1.00
57	HF003000200	FUSE 2A (220/240V)				1.00
58	EA9500B0200	CABLE BAND 150				2.00
59	WP0651646SC	WASHER				4.00
60	WT0640001KN	TOOTH WASHER				1.00
61	40147891	RUBBER_CUSHION				4.00
62	40142969	RUBBER CUSHION BRKT				2.00
63	NM6060001SC	NUT M6X1 TYPE1				4.00

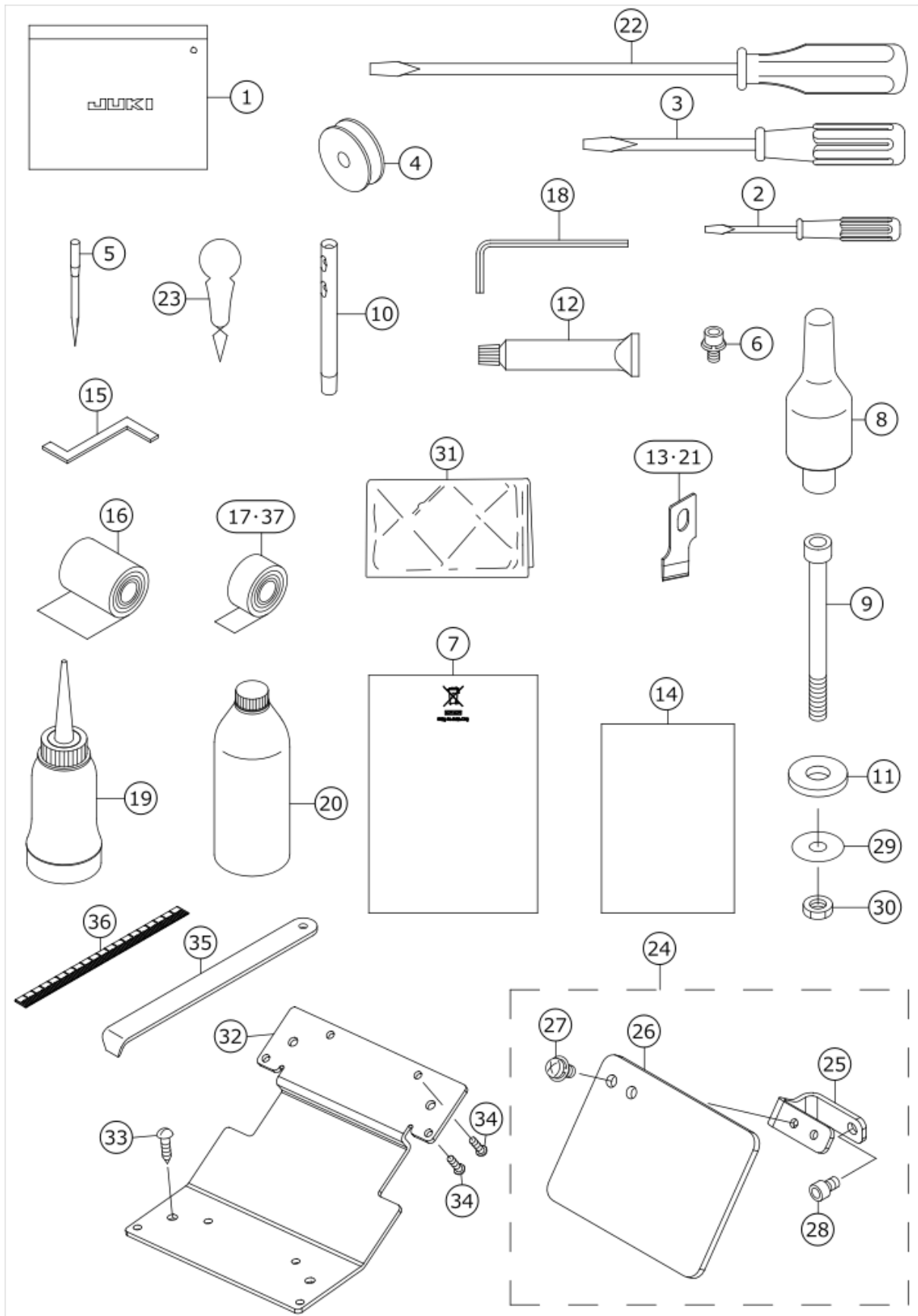
WIRING DIAGRAM



No.	品番	品名	備考	子部品	消耗品	個数
1	40138611	INT PCB ASSY				1.00
2	40005400	PAUSE SWITCH JOINT CORD				1.00
3	40029632	STOP SW ASM				1.00
4	40003499	THREAD BREAK DETECTOR A				1.00
5	40141480	UT TRIM SENSOR CORD ASSY				1.00
6	HD00057000A	PHOTO SENSOR				1.00
7	40141481	DT TRIM SENSOR CORD ASSY				1.00
8	HD00057000A	PHOTO SENSOR				1.00
9	40141482	FEED SENSOR CORD ASSY				1.00
10	HD00057000A	PHOTO SENSOR				1.00
11	40141484	COVER SENSOR RELAY CORD ASSY				1.00
12	40141483	COVER SENSOR ASSY				1.00
13	40139180	NEEDLE SWING MOTOR ASSY				1.00
14	40139181	FEED MOTOR ASSY				1.00
15	40139182	CLAMP MOTOR ASSY				1.00
16	40140040	UT TRIM MOTOR ASSY				1.00
17	40140041	DT TRIM MOTOR ASSY				1.00
18	40139183	CLOTH CUT MOTOR ASSY				1.00
19	40006261	ASSY_AT_SOLENOID				1.00
20	40111214	FAN MOTOR ASSY				1.00
21	40153023	INT CORD F ASSY				1.00
22	40153022	INT CORE E ASSY				1.00
23	40153021	INT CORD D ASSY				1.00
24	40023371	SINGLE PHASE POWER CORD ASSY	FOR 1-PHASE 220V ~ 240V			1.00
25	M90175800A0	POWER CABLE ASM.	FOR 3-PHASE 200V ~ 240V			1.00
26	40005390	JE POWER CABLE ASM.	FOR CE 220V ~ 240V			1.00
27	40141487	AC POWER CORD A ASM.	FOR 1-PHASE 220V ~ 240V			1.00
28	40141488	AC POWER CORD B ASM.	FOR 3-PHASE 200V ~ 240V			1.00
29	40141489	AC POWER CORD C ASM.	FOR CE 220V ~ 240V			1.00
30	40113427	POWER SWITCH				1.00
31	40141333	LBH OPERATION PANEL ASSY	FOR 1-PHASE 220 ~ 240V,3-PHASE 200 ~ 240V,1-PHASE 220 ~ 240V(FOR CHINA)			1.00
32	40141706	ASSY_LED_DEVICE				1.00
33	40094262	PEDAL SENSOR BASE ASSY				1.00
34	40003491	ASSY_4_POSITION_PEDAL				1.00
35	40141500	MC602 CTL BOX A ASM.				1.00
36	40141501	MC602 CTL BOX B ASM.				1.00
37	40141502	MC602 CTL BOX C ASM.				1.00
38	40138920	MAIN PCB ASSY				1.00
39	40142267	SDC PCB ASSY				1.00
40	40105465	FLT-T PCB ASSY	FOR 3-PHASE 200V ~ 240V			1.00

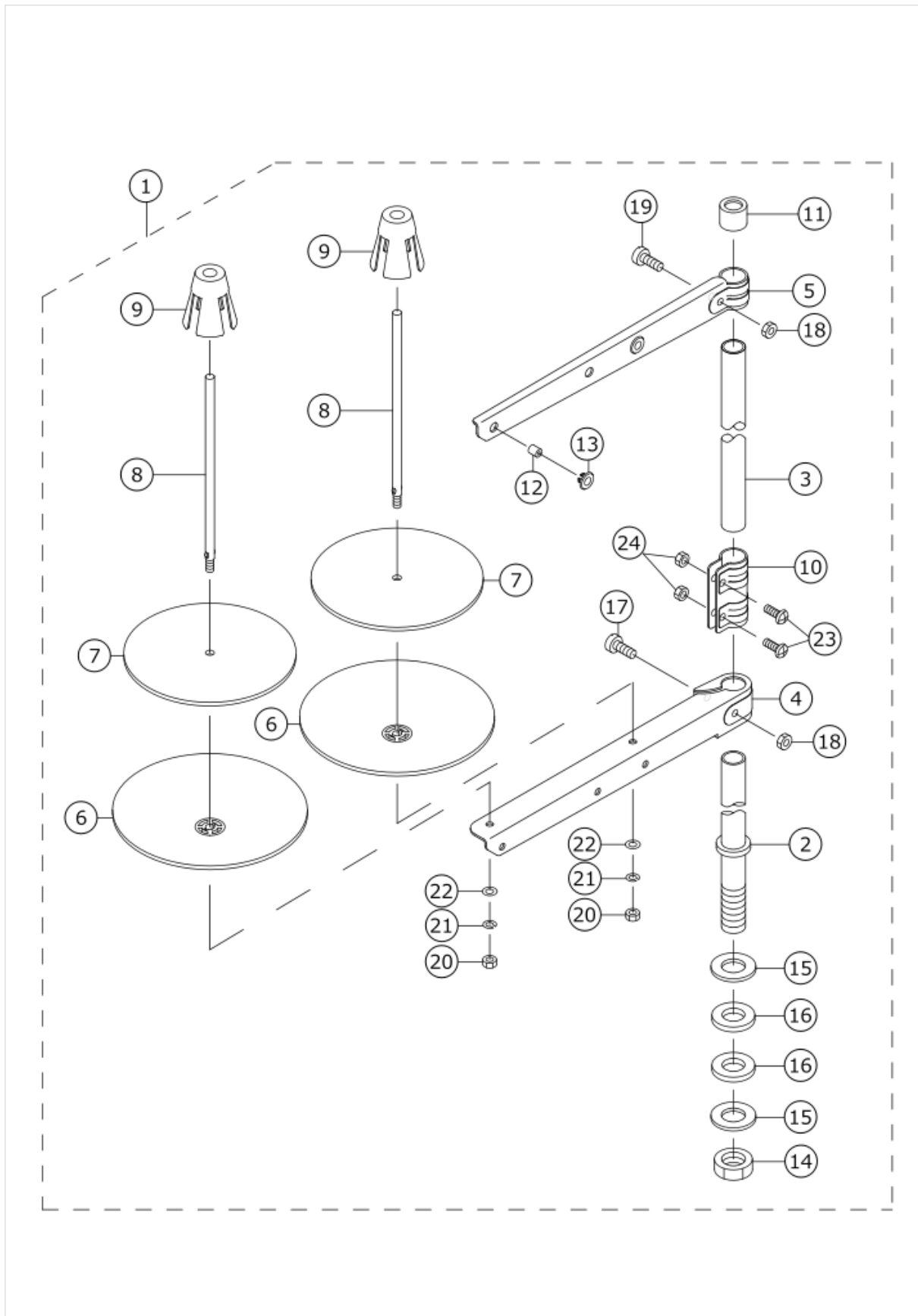
41	40105475	FLT-CE PCB ASSY	FOR CE 220V ~ 240V			1.00
42	14115554	HEAD GROUND CABLE A ASM.				1.00
43	40138137	IPM550W MOTOR				1.00
44	40141334	LBH OPERATION PANEL ASSY CE	FOR 1-PHASE CE 220 ~ 240V			1.00

ACCESSORIE PARTS COMPONENTS



No.	品番	品名	備考	子部品	消耗品	個数
1	22932800	ACCESSORIE BAG				1.00
2	22933204	SCREW DRIVER SMALL				1.00
3	22933105	SCREW DRIVER MIDDLE				1.00
4	40009148	BOBBIN				1.00
5	MDP5J0B1102	NEEDLE DPX5 #11J-2				1.00
6	SL6040892TN	BOLT				1.00
7	CM600100201	WEEE INFORMATION SHEET				1.00
8	14101208	HEAD SUPPORT BAR				1.00
9	SM6067052TP	HEXAGON BOLT				4.00
10	22502504	THREAD GUIDE BAR				1.00
11	D6056555B00	RUBBER CUSHION (B)				4.00
12	40006323	JUKI GREASE A TUBE				1.00
13	B2702047K00A	KNIFE 3/8				1.00
14	29180403	EC PRODUCTION DECLARATION				1.00
15	40156793	TIMING GAUGE				1.00
16	40044824	SLIDE_PROMOTING_TAPE				1.00
17	40066088	TAPE				0.50
18	J106600000D	HEXAGONAL WRENCH KEY				1.00
19	B91210120A0	OILER ASM.				1.00
20	MDFRX1200C0	NEW DEFRIX OIL NO.1(200ML)				1.00
21	B2702047M00A	KNIFE 5/8				1.00
22	22933006	SCREW DRIVER LARGE				1.00
23	B9107761000	THREAD PASSING INSTRUMENT				1.00
24	40142172	ASSY_SAFETY_PLATE_B				1.00
25	40141799	SAFETY_PLATE_BASE		*		1.00
26	40141798	SAFETY_PLATE		*		1.00
27	SL4040891SC	SCREW M4 L=8		*		2.00
28	SM6040602TP	SCREW M4 L=6		*		1.00
29	WP0612056SD	WASHER 6.1X18.5X2				4.00
30	NM6060001SD	NUT M6				8.00
31	26234005	VINYL COVER				1.00
32	40154496	PANEL_PLATE				1.00
33	SK3512001SE	WOOD SCREW D=5.1 L=20				2.00
34	ST4040851SN	TAPPING SCREW M4X8				4.00
35	B9101490000	DRIVER				1.00
36	40164769	SEAL				1.00
37	40164516	SUB_TABLE_SUPPORT_SHEET				1.00

THREAD STAND COMPONENTS

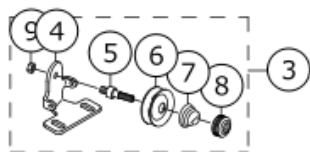
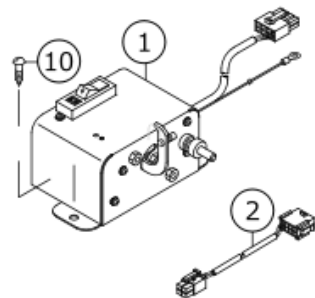


No.	品番	品名	備考	子部品	消耗品	個数
1	40096354	THREAD STAND ASM.				1.00
2	40085784	SPOOL REST ROD LOWER		*		1.00
3	40085785	SPOOL REST ROD UPPER		*		1.00
4	40085786	SPOOL REST ARM LOWER		*		1.00
5	40085787	SPOOL REST ARM UPPER		*		1.00
6	40085788	SPOOL REST		*		2.00
7	40085789	SPOOL REST CUSHION		*		2.00
8	40085790	SPOOL PIN		*		2.00
9	40085791	SPOOL RETAINER		*		2.00
10	40085792	SPOOL REST ROD JOINT		*		1.00
11	40085793	SPOOL REST ROD RUBBER CAP		*		1.00
12	40085794	THREAD GUIDE		*		2.00
13	40085795	THREAD GUIDE BUSHING		*		2.00
14	40096325	SPOOL REST ROD NUT		*		1.00
15	WP1612616SE	WASHER 16X30X2.6		*		2.00
16	40085796	SPOOL REST ROD RUBBER CUSHION		*		2.00
17	40096326	SPOOL REST ARM LOWER SCREW		*		1.00
18	NM6050001SE	NUT M5		*		2.00
19	40096327	SPOOL REST ARM UPPER SCREW		*		1.00
20	NM6050001SE	NUT M5		*		2.00
21	WS0510002KN	SPRING WASHER M5		*		2.00
22	WP0531001SC	WASHER M5		*		2.00
23	SM4051405SE	SCREW M5 L=14		*		2.00
24	NM6050001SE	NUT M5		*		2.00

SPECIAL SPECIFICATIONS COMPONENTS (1)

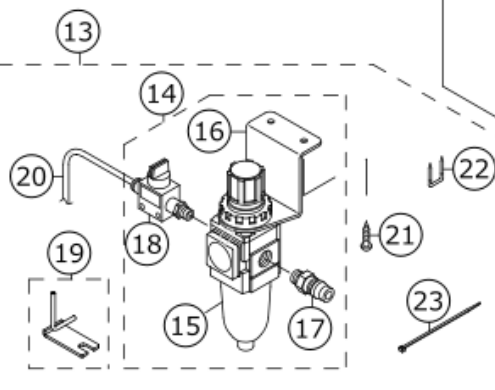
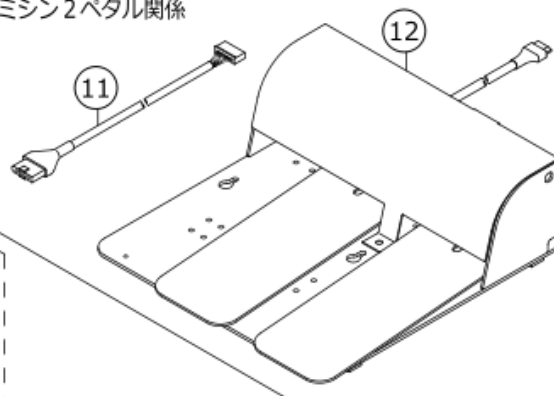
ELECTRIC BOBBIN WINDER COMPONENTS

電動糸巻き関係



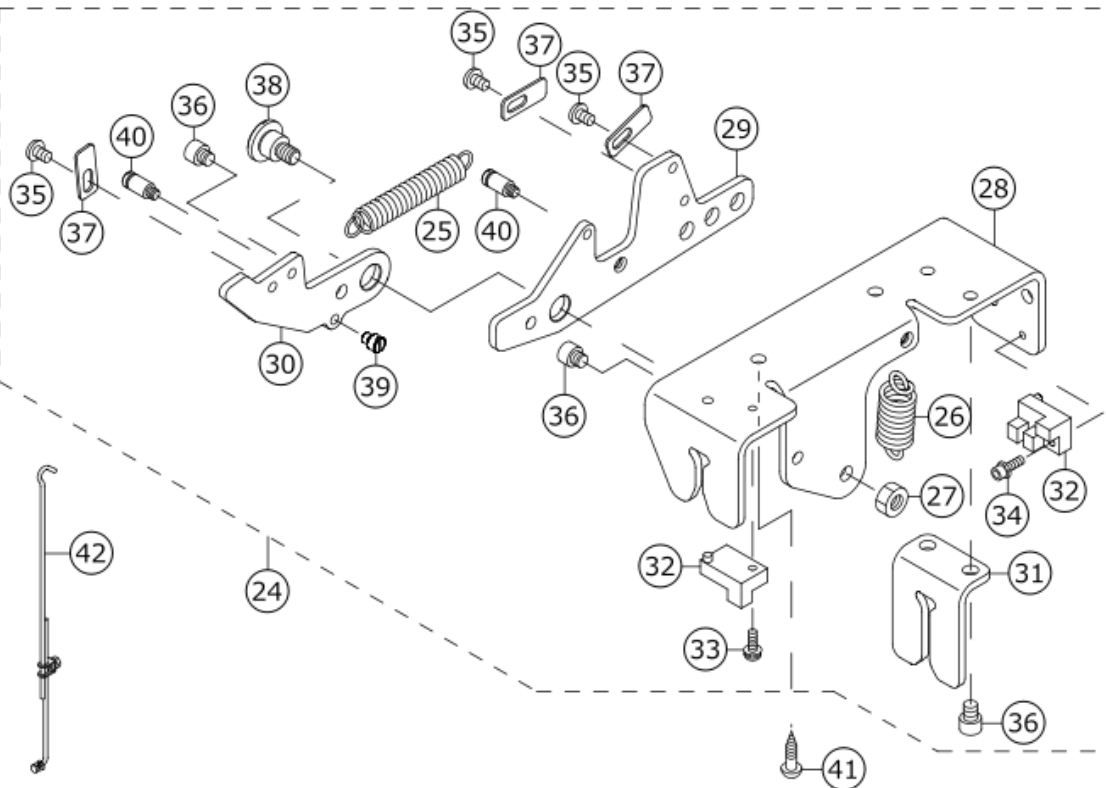
2-PEDAL FOR STANDING MACHINE COMPONENTS

立ちミシン2ペダル関係



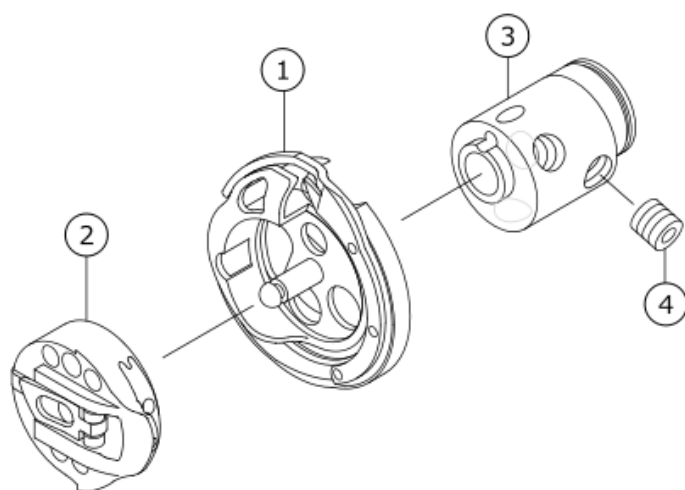
THE STARTING PEDAL FOR 2-PEDAL

2ペダル用起動ペダル組




No.	品番	品名	備考	子部品	消耗品	個数
1	G50011980A0A	BOBBIN WINDER ASM.				1.00
2	40005405	WINDER CORD ASSY				1.00
3	B32217710A0	BOBBIN WINDER TENSION BRACKET ASM.				1.00
4	B3221771000	BOBBIN WINDER TENSION BRACKET		*		1.00
5	B3219232000	BOBBIN WINDER TENSION POST		*		1.00
6	B3214047000	BOBBIN WINDER TENSION DISC		*		2.00
7	B3218232000	BOBBIN WINDER TENSION SPRING		*		1.00
8	B3216047000	BOBBIN WINDER TENSION NUT		*		1.00
9	NS6110310SP	NUT 11/64-40		*		1.00
10	SK3452000SC	WOOD SCREW D=4.5 L=20				4.00
11	40003493	PK PEDAL JOINT CORD ASSY				1.00
12	GPK510010B0	PEDAL SWITCH ASM.				1.00
13	40097040	HOOK COOLING UNIT B				1.00
14	40023432	FILTER REGULATOR ASM.		*		1.00
15	PF0551060A0	FILTER REGULATOR		*		1.00
16	PF902005000	REGULATOR BRACKET		*		1.00
17	PJ025100003	PLUG		*		1.00
18	PV015122000	FINGER VALVE		*		1.00
19	40094012	PIPE BRACKET ASM.		*		1.00
20	BT0400251EB	URETHANE HOSE BLACK		*		1.50
21	SK3412001SE	WOOD SCREW D=4.1 L=20		*		2.00
22	MA011532000	CORD STAPLE		*		2.00
23	EA9500B0100	CABLE BAND		*		2.00
24	40003491	ASSY_4_POSITION_PEDAL				1.00
25	13731906	SPRING		*		1.00
26	B2583210D00	SPRING		*		1.00
27	NM6060001CP	NUT M6		*		1.00
28	40004360	PEDAL_FRAME		*		1.00
29	40004361	PEDAL_FRAME_A		*		1.00
30	40004362	PEDAL_FRAME_B		*		1.00
31	40004363	PEDAL_FRAME_GUIDE		*		1.00
32	HD00057000A	PHOTO SENSOR		*		2.00
33	SL4031091SC	SCREW M3 L=10		*		1.00
34	SL6031042TN	SCREW		*		1.00
35	SM5040655SN	SCREW		*		3.00
36	SM6050652TP	HEXAGON SOCKET HEAD SCREW M5X6		*		4.00
37	40004364	SENSOR_DETECTING_PLATE		*		3.00
38	SD1000646TP	SHOULDER SCREW D=10 H=6.4		*		1.00
39	40004299	STOPPER_PIN		*		1.00
40	40004327	SUSPENSION_SCREW		*		2.00
41	SK3482001SE	WOOD SCREW D=4.8 L=20				2.00
42	26104851	JOINT ASM.				1.00

SPECIAL SPECIFICATIONS COMPONENTS (2)



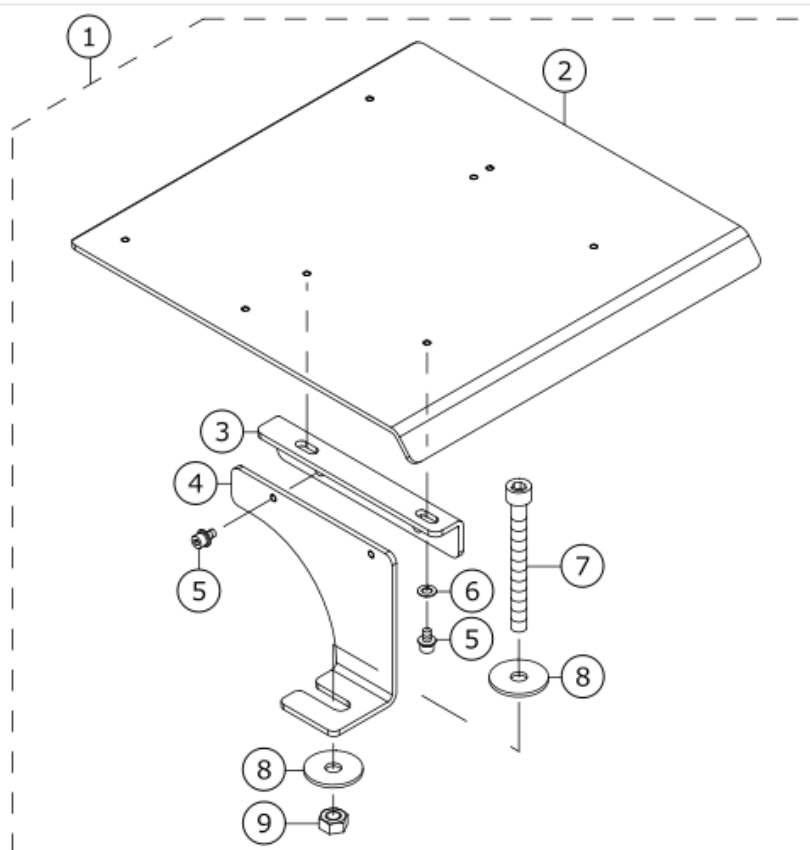
No.	品番	品名	備考	子部品	消耗品	個数
1	40006345	RP_HOOK_ASM.				1.00
2	40006349	RP_BOBBIN_CASE				1.00
3	13729603	HOOK SLEEVE				1.00
4	SS8660612TP	SCREW 1/4-40 L=6				4.00

EXCHANGING PARTS

		Cloth Cutting Knife 布切りメス
		
		Standard 標準
inch	mm	Ref.No
1/4	6.4	(1)
3/8	9.5	(2)
7/16	11.1	(3)
1/2	12.7	(4)
9/16	14.3	(5)
5/8	15.9	(6)
11/16	17.5	(7)
3/4	19.1	(8)
7/8	22.2	(9)
1	25.4	(10)

No.	品番	品名	備考	子部品	消耗品	個数
1	B2702047F00	KNIFE 1/4				1.00
2	B2702047K00A	KNIFE 3/8				1.00
3	B2702047I00	KNIFE (7/16)				1.00
4	B2702047L00A	KNIFE 1/2				1.00
5	B2702047V00	KNIFE 9/16				1.00
6	B2702047M00A	KNIFE 5/8				1.00
7	B2702047A00	KNIFE 11/16				1.00
8	B2702047N00	KNIFE 3/4				1.00
9	B2702047P00	KNIFE 7/8				1.00
10	B2702047Q00A	KNIFE 1				1.00

OPTIONAL PARTS



No.	品番	品名	備考	子部品	消耗品	個数
1	40164861	SUB_TABLE_KIT				1.00
2	40164817	SUB_TABLE_C		*		1.00
3	40152579	SUB_TABLE_A_SUPPORT_PLATE_B		*		2.00
4	40152574	SUB_TABLE_A_MOUNTING_BASE_B		*		2.00
5	SL6040892TN	BOLT		*		8.00
6	WP0450801SC	WASHER 4.5X10X0.8		*		2.00
7	SM6087002TN	SCREW M8 L=70		*		2.00
8	WP0852086SC	WASHER M8		*		4.00
9	NM6080001SC	NUT M8X1.25		*		2.00

HOW TO MAKE USE OF THIS PARTS LIST

HOW TO MAKE USE OF THIS PARTS LIST

1.Explanation of codes

1)"*"mark.....means this part is changed from the previous parts book.

As to the details of the change, refer to the "List for information of change".

2)"#01".....refer to "Note" explanation at bottom of page.

2.Codes on the "Qty" column

· Each numeral indicates the number of parts required.

· "0.1" and "2.5" indicate the length (in meters) of the respective parts.

3.Parentheses mean that the corresponding part is a subpart that constructs an assembly part.

4.Dotted lines on the Figures indicate assembly parts.

5.As to the parts with marks of "☆"(consumable parts) and "◎"(optional parts)on the respective parts, it is recommended to prepare spares.

パーツリストご利用に際して

1."注記"欄の記号説明

1) "*"印.....前回のパーツブックに比較して今回変更された部品を意味します。

変更内容は、"変更情報リスト"を参照してください。

2) "#01".....ページ下の"注記"の説明を参照してください。

2.数量欄の数字は、個数を表し、0.1、2.5等の数値は、長さ（単位メートル）を表します。

3.数量欄の（ ）は、組部品を構成している子部品であることを意味します。

4.イラストページの-----枠は、組構成であることを意味します。

5.リストページの"☆"（消耗部品）、"◎"（オプション部品）の印がついた部品は、予備を準備しておくことをお奨めします。